

# GREEN SPACES & STREET FURNITURE

SEATS, BENCHES & CHAIRS

LITTER BINS

PLANTERS

TREE PROTECTION

INFORMATION DISPLAY

BICYCLE STANDS

BICYCLE SHELTERS

STEEL BOLLARDS

CAST IRON BOLLARDS

BUS SHELTERS

DECORATIVE RAILINGS

PROTECTIVE BARRIERS



PROCITY® means attractive places to live and work.  
 Always seeking to preserve natural resources, always favouring quality  
 renewable & sustainable raw materials.



### *An exceptionally wide & broad range*

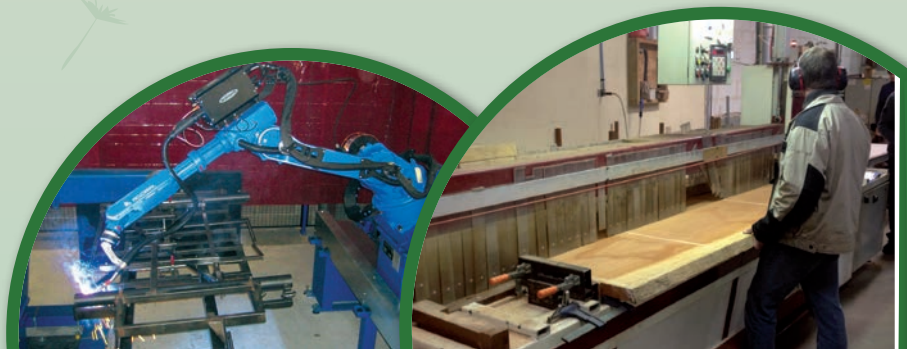
For more than 30 years PROCITY® has been creating stylish and sustainable street furniture. Procity promotes safety in public parks and spaces, complimenting the surrounding architecture. Quality designs, quality manufacturing and quality service. PROCITY®'s goal is to satisfy the greater majority with an elegant offer, perfectly suited to most urban and rural environments. PROCITY® green spaces and street furniture designs are purposely detached from trends and fashions so they will not look out of place over time. PROCITY® offers a very wide selection of finishes & colours, with the ability to meet your expectations all in a fully controlled budgetary framework. To protect you and to ensure the quality of our products and guard against low quality copies, all PROCITY® products are labeled.

### *A sustainable approach*

At Procity we are committed to a responsible, environmentally aware manufacturing process for our products and healthy places to live and work. One of the best ways to act responsibly on the environment is to design sustainable products, whose design will limit the frequency of their renewal. From their design development, PROCITY® products are conceived to contain an optimal amount of raw materials to allow for maximum recovery of their components for recycling. Our internal creation & design department with external design consultants ensure continuous product improvement to assist with your projects.

### *Durability in steel*

PROCITY® products ensure functionality and exceptional performance year after year, even in the harshest environments. Their multiple uses and demands of sustainability require a high level of quality workmanship and the utmost professionalism is implemented throughout the manufacturing process. Given the raw materials used, anti-corrosion treatment is given particular care at PROCITY® and we recognise the importance of a high quality finish. Three key elements are essential to achieving an attractive, durable finish: proper surface preparation, proper application of the powder, and proper curing. In our steel products, after shot blasting, the use of zinc rich primer finished with polyester powder coating offers an extremely resistant adhesion and is suited for exterior use. Once painted, the product is at baked 180°C. This process is used for products in a standard environment with a 5-year warranty against corrosion in normal usage conditions. For the products with heavy usage (bicycle stands...) or installed in a saline environment (seaside, near roads which are heavily salted in winter...), the products are galvanised, sanded and finished with a polyurethane topcoat and baked at 80°C. This allows a 10 year guarantee against corrosion in normal usage conditions. All of our paint finishes use UV treated paint to ensure the products stand the tests of time and keep their original colours.





# SUSTAINABLE DEVELOPMENT



## Timber sourcing policy

Timber is an essential raw material in many PROCITY® products and is the only material available from a totally renewable resource. Our policy is demanding but consistent with our environmental commitments:

1 - We only source from PEFC or FSC certified suppliers committed to sustainable forest management;



2 - Where possible we primarily favour timber felled in close proximity to our plant rather than imported wood, thus limiting the environmental impact of transport;

3 - Whenever possible, we guide our clients towards local timber rather than exotic timber or timber having undergone processing treatments;

4 - We favour the systematic use of regional suppliers;

5 - From the species of wood available, we compare quality and durability and choose timber whose intrinsic qualities result in less waste when they are transformed into products.

## Durability in aluminium

Products using aluminium allow low weight, high strength and excellent corrosion resistance, aluminium is also very easy to recycle.

When the surface of aluminium metal is exposed to air, a protective oxide coating forms almost instantaneously. This oxide layer is corrosion resistant which we enhance with an anodising electrolytic secondary finish. For painted aluminium products we always use mill finish aluminium as a material to ensure good adhesion of the paint.

## Recycling

PROCITY® has established with its partners, a recycling process optimisation policy without sacrificing product quality:

- 25% recycled steel is used to manufacture products.
- 100% of steel, aluminium, PVC and wood off cuts are recycled
- 100% of waste (oil, paint, etc...) are collected by specialised waste disposal



## Social responsibility

Every product in the PROCITY® brand can have a real impact on the behaviour of the individual and how they interact with the environment around them. They encourage the use of parks and green spaces, making them more attractive and comfortable places to be.

PROCITY® products are intended to serve all communities, whatever their culture or habits all over the world. With coverage and the expertise of its network of distributors, PROCITY® offers you the guarantee of local partners who understand your needs and can respond with the greatest efficiency.



## ❖ MATERIALS AND NORMS

### Steel

Tubes and sheets comply with standards BS EN 10025 and BS EN 10027-1

> Cast iron: our products use grey cast iron FT 25 GJL 250 or ductile cast iron GJS400-12, for an impact resistance of up to 6000J depending on the thickness of the cast.

> Stainless steel: complies with standards BS EN 10088 and BS EN 10027.

### Aluminium

> Notice boards: EN AW 6060 - BS EN 573-3.

> Posts: BS EN AW 6160, BS EN AW 6060 and BS EN AW 6063 - BS EN 755-2.

### Timber

> The Oak (Quercus Robur) from FSC and PEFC certified sources in France where the growing of oak for commercial purposes is very established, and has always been controlled. Naturally durable, Oak does not require preservative treatment.

> Exotic woods: Missanda and Black Guarea (Dark Bossé) from FSC certified sources - where felling has no impact on deforestation. Naturally durable, these species do not require preservative treatment. Their high density and excellent mechanical properties make them an ideal raw material.

> Compact HPL (High Pressure Laminate): a resin impregnated material with a resin overlay veneer, resisting abrasion and moisture penetration. The weatherproof surface is perfect for maintenance free exterior use.

## ❖ PACKAGING

Special care is taken with packaging of products to prevent transport damage. Depending on the nature of the products, various materials are used: cardboard, banded on pallets, wooden crates, cloth sheaths, etc.

## ❖ PAINTED FINISHES

In this catalogue:

> "Galvanised & painted" = galvanising + grinding + sanding + primer + UV protected polyurethane topcoat. Paint applied by a gun to 30 µ thick then baked at 80° C.

> "Painted on zinc primer" = grinding + blasting + primary + zinc rich powder primer paint + UV protected polyester topcoat. Powder coating thickness 60 µ then baked at 180° C - 200° C.

> "Stained wood" is finished with a coloured water based stain preserver with good fungicide & UV protection qualities: it protects the wood from the weather and pollution.

> "Painted wood" is finished with a colourless water based stain preserver + three coats of microporous coloured lacquer.

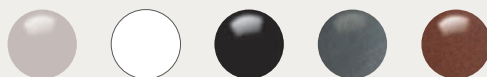
## ❖ WOOD MAINTENANCE

Caring for and maintaining your stained wood furniture: As timber is a natural product, some slight splitting, cracking and/or other darkening may occur due to weathering or aging of the timber. To care for your furniture we recommend a regular reapplication of stains (every 18 to 24 months depending on exposure). This prevents the need to strip the wood back as well as helping it to maintain its desired shine and depth of colour.

Standard colours for steel, aluminium and wood products



RAL 3020 RAL 3004 RAL 5010 RAL 6005 RAL 8017



RAL 7044 RAL 9010 RAL 9005 PROCITY® Grey Corten effect

Colours for the Conviviale® collection

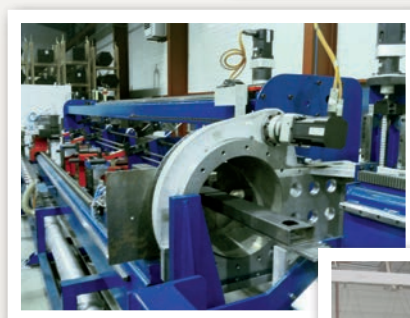


Granular Blue 2700 Granular Grey 2900 Granular Red 2100 Granular Green 2500

Stained Wood colours



Light Oak Mahogany



## ❖ GUARANTEES & RECOMMENDATIONS

> For all steel products installed in – or close to – a maritime location, beside heavily salted roads or other strongly corrosive environments, we recommend all products be galvanised to ensure their longevity and for our guarantees to apply.

> All products manufactured in one of our three factories are **guaranteed for 5 years** normal operating conditions.

> All products manufactured in one of our three factories that have been undergone a hot-dip galvanising or anodising treatment are **guaranteed for 10 years** against corrosion.

> Since wood is a living material, the guarantee of products containing wood is limited to 2 years.

These guarantees apply from the invoice date and are subject to conditions.

For more information, ask for our guarantee certificate.





8

COMFORT

9

SEATS, BENCHES & CHAIRS

28

PERCH SEATS

30

PICNIC TABLES

32

CLEANLINESS

33

LITTER BINS

44

WHEELIE BIN STORES

46

GREEN SPACES

47

PLANTERS

54

TREE PROTECTION

56

INFORMATION DISPLAY

57

OUTDOOR NOTICE BOARDS

58

INFORMATION DISPLAY

64

BICYCLE STANDS & SHELTERS

65

BICYCLE STANDS

66

BICYCLE SHELTERS

82

STREET FURNITURE

83

STEEL BOLLARDS

92

CAST IRON BOLLARDS

98

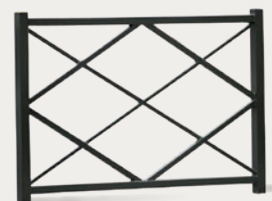
BUS SHELTERS

108

DECORATIVE RAILINGS

120

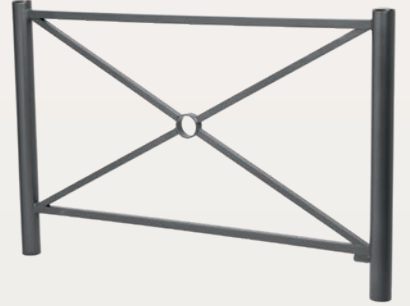
PROTECTIVE BARRIERS



THE CITY COLLECTION



THE STAINLESS STEEL DECO COLLECTION



THE SPHERE COLLECTION



THE FORUM COLLECTION





THE CONVIVALE®  
COLLECTION



THE VENICE COLLECTION



THE SILAOS® COLLECTION



THE CHILDREN COLLECTION



## S U M M A R Y

- 9** Silaos® seats
- 10** Silaos® primary & nursery tree seat
- 11** Silaos® benches, chairs & lounger
- 12** Silaos® assist seat & chair
- 13** Nursery & junior Silaos® - seat & benches
- 14** Riga seat & benches
- 15** Venice seats & bench
- 16** Pagoda seat & bench
- 17** Barcelona seats
- 18** Heritage & Aubel seats
- 19** Oslo seat & benches
- 20** Vercors & Conciviale® seat & bench
- 21** Mercure & Paris seats
- 22** Lublin & Aster seats
- 23** Mora seat & nursery seat
- 24** Lugano seat & bench
- 25** Estoril seat & bench
- 26** Lugano & Conviviale® perch seats
- 27** Oslo & Estoril perch seats
- 28** Silaos® picnic table set
- 29** Côme picnic table set
- 30** Riga picnic table
- 31** Seville & children's picnic table





**1 / 2**

**SILAOS® SEATS**

Very popular simple products, solid and stylish, to meet all your needs regardless of where they are used.

**1 Silaos® Wood & Steel Seat**

- > Available in two lengths: 1200 & 1800 mm.
- > Frame and armrests 30 x 50 mm steel tubes, painted with zinc primer in our RAL colours.
- > Seat and backrest in PEFC certified French oak, depth 36 mm.
- > Wood finish: water based colour stain preserver in light oak or mahogany.
- > Wood uses tamper-proof bolts. Mounted on base plates. Anchor bolts supplied.

**2 Silaos® Steel Seat**

- > Same characteristics as above however seat with backrest in 3 mm gauge folded sheet steel, painted on zinc primer in our RAL colours.

1 Wood & Steel Seat		
	Length	Light oak or Mahogany stain
Without armrest	1200 mm	594001
	1800 mm	594003
Arc	1200 mm	594006
	1800 mm	594008
Classic	1200 mm	594016
	1800 mm	594018

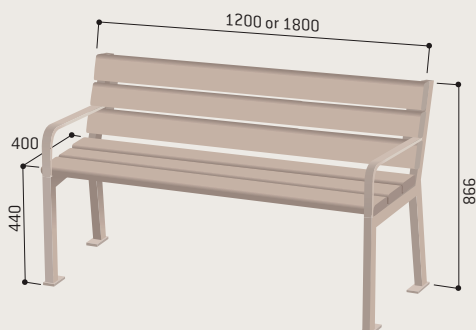
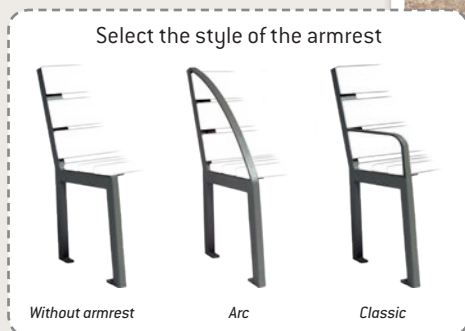
2 Steel Seat		
Without armrest	1200 mm	209080
	1800 mm	209081



**1** 594018



594008 **1**



**2** 209081

Product is shipped flat packed for self assembly.

COMFORT

CLEANLINESS

GREEN SPACES

INFORMATION DISPLAY

BICYCLE STANDS & SHELTERS

STREET FURNITURE

1 / 2

**SILAOS® TREE BENCHES**

This elegant and discreet bench fits perfectly its environment and offers comfortable seating around large or small trees in the style of the SILAOS® range.

> Two versions:

• Hexagonal tree bench:

Internal minimum diameter: 930 mm

External dimensions: 1907 x 2200 mm.

• Heptagonal tree bench:

Internal minimum diameter: 2600 mm

External dimensions: 3810 x 3911 mm.

> Overall height: 857 and 858 mm.

> Seat height: 434 mm

> Frame made of 30 x 50 mm, 2mm gauge steel tubes zinc primed & painted in our RAL colours.

> PEFC certified French oak seat and back rest, width 115mm depth 36mm, density 700 kg/m<sup>3</sup>. All wooden slats are pre-drilled for ease of assembly. Wood finish: water based colour stain preserver in light oak or mahogany.

> Wood uses tamper-proof bolts. Mounted on base plates. Anchor bolts supplied.

1 Hexagonal tree bench **602465**

2 Heptagonal tree bench **602463**

1 602465



2 602463



3 / 4

**SILAOS® PRIMARY & NURSERY TREE SEAT**

Seating specially created for young children to provide a focal meeting point around trees.

> Octagonal seat

> Seat height:

• Nursery school version: 270 mm.

• Primary school version: 390 mm.

> Internal diameter:

• Nursery school version: 1240 mm.

• Primary school version: 915 mm.

> Steel structure 30x50 mm, painted with zinc primer, finished in RAL 3020 (red), RAL 1023 (yellow), RAL 6018 (green), RAL 5010 (blue).

> Seat and backrest in PEFC certified French oak wood.

> Nursery school version: 4 slats.

> Primary school version: 6 slats.

> Wood finish: lacquered in a single colour or multi-colour.

> Mounted on base plates. Anchor bolts supplied.



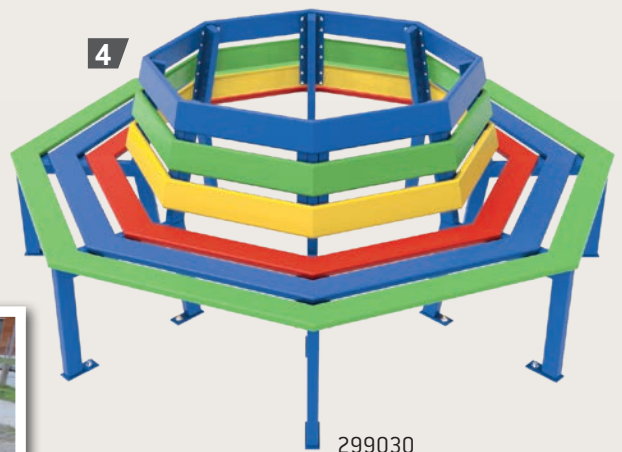
	single colour	multi-colour
3 Nursery version: 270 mm	299032	299033
4 Primary version: 390 mm	299030	299031

3



299032

4



299030



**5 / 6**

**SILAOS® BENCHES**

All steel, or wood & steel featuring PEFC oak, Silaos® benches offer a simple and ecological seating solution.

**5 Wood and steel**

- > Available in two lengths: 1200 & 1800 mm.
- > Seat height: 440 mm.
- > Frame in 30 x 50 mm steel tubes, painted with zinc primer in our RAL colours.
- > Seat in PEFC certified French oak, depth 36 mm.
- > Wood finish: water based colour stain preserver in light oak or mahogany.
- > Wood uses tamper-proof bolts. Mounted on base plates. Anchor bolts supplied.

**6 Silaos® Steel bench**

> Same characteristics as however seat in 3 mm gauge folded sheet steel, painted with zinc primer in our RAL colours.

Wood & steel benches	
Length	Light oak or Mahogany stain
1200 mm	<b>594032</b>
1800 mm	<b>594034</b>
Steel benches	
Length	
1200 mm	<b>209182</b>
1800 mm	<b>209183</b>

**5** 594032



**6** 209183



**7 / 8**

**SILAOS® CHAIRS & LOUNGER**

Individual comfort in public places in wood & steel.

**7 Wood & steel chair**

- > Length: 600 mm.
- > Seat height: 440 mm.
- > Frame and armrests 30 x 50 mm steel tubes, painted with zinc primer in our RAL colours.
- > Seat and backrest in PEFC certified French oak, depth 36 mm.
- > Wood finish: water based colour stain preserver in light oak or mahogany.
- > Wood uses tamper-proof bolts. Mounted on base plates. Anchor bolts supplied.

	Light oak or Mahogany stain
Arc armrest	<b>594101</b>
Classic armrest	<b>594107</b>

**8 Silaos® Lounger**

> Same characteristics as above however seat length 1265 mm, lounger height 340 mm.

	Light oak or Mahogany stain
Length 1200 mm	<b>594111</b>

**7** 594101



**8** 594111

1 / 2

**SILAOS® ASSIST SEAT & CHAIR**

The Assist chair is specially designed for the comfort of older or disabled people. The seat is raised by 10 cm and features a footrest and adapted armrests.

**1 Silaos® Assist Seat**

- > Available in two lengths: 1200 & 1800 mm.
- > Seat height: 540 mm.
- > Frame and armrests 30 x 50 mm steel tubes, painted with zinc primer in our RAL colours.
- > Seat and backrest in PEFC certified French oak, depth 36 mm.
- > Wood finish: water based colour stain preserver in light oak or mahogany.
- > Wood uses tamper-proof bolts. Mounted on base plates. Anchor bolts supplied.

**Options**

- > Central armrest: 30 mm wide and 10 mm deep. One unit for 1200 mm seat and a pair for the 1800 mm seat.
- > Umbrella holder: Ø 79 mm, 40 mm in length.

	Length	Light oak or Mahogany stain
Classic armrest	1200 mm	<b>594116</b>
	1800 mm	<b>594118</b>
Optional central armrest		<b>594009</b>
Optional umbrella holder (1 pair)		<b>299005</b>

**2 Silaos® Assist chair**

Same characteristics as above however seat length 600 mm.

	Light oak or Mahogany stain
Classic armrest	<b>594109</b>



594109

Product is shipped flat packed for self assembly.

Code 594116 with optional central armrest and umbrella holder

**Specially adapted**

The seat is raised by 10 cm to assist sitting and standing.

Specially adapted ergonomic armrests and integrated foot rest.





3 - 6

## NURSERY & JUNIOR SILAOS® SEAT & BENCHES

Conceived to provide seating at the correct height for two groups of young children.

> Seat length: 1500 mm.

> Seat heights:

- Nursery school version: 270 mm.
- Primary school version: 390 mm.

> Steel structure 30x50 mm, painted with zinc primer, finished in RAL 3020 (red), RAL 1023 (yellow), RAL 6018 (green), RAL 5010 (blue).

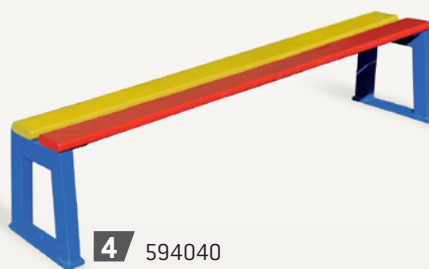
> Seat and backrest in PEFC certified French oak wood.

> Nursery school version: 4 slats.

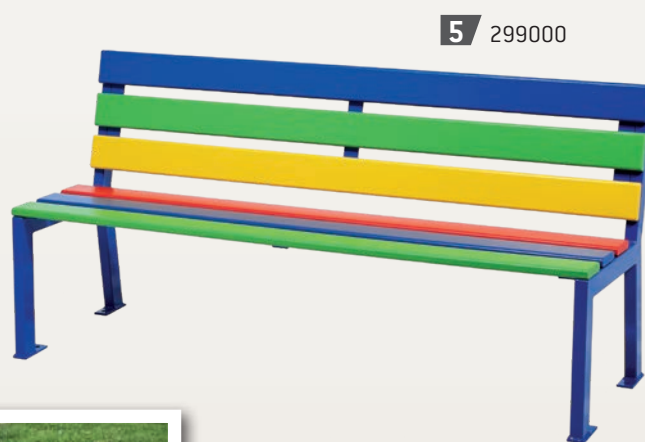
> Primary school version: 6 slats.

> Wood finish: lacquered in a single colour or multi-colour.

> Mounted on base plates. Anchor bolts supplied.



4 594040



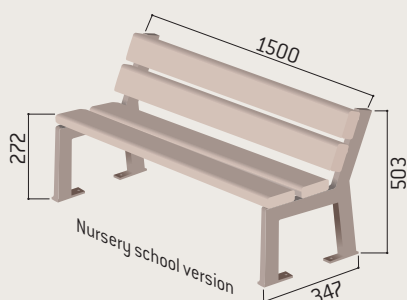
5 299000

Nursery school version	Multi-colour	Single colour
3 Seat - height 270 mm	299002	299003
4 Bench - height 270 mm	594040	594041

Primary school version	Multi-colour	Single colour
5 Seat - height 390 mm	299000	299001
6 Bench - height 390 mm	594042	594043



3 299002



Nursery school version



6 594042

Product is shipped flat packed for self assembly.

COMFORT

CLEANLINESS

GREEN SPACES

INFORMATION DISPLAY

BICYCLE STANDS & SHELTERS

STREET FURNITURE

1 / 2

## RIGA SEAT

An affordable, extremely tough and hardwearing seat, simple yet functional. Available all wood or wood with a steel structure.

### 1 In Wood & Steel

- > Seat length: 2000 mm.
- > Structure in 80 x 8 mm steel tubes, painted with zinc primer, finished in RAL 9005 (black).
- > Seat and backrest in FSC certified exotic hard wood, depth 36 mm.
- > Wood finish: water based mahogany colour stain preserver.
- > Wood uses tamper-proof bolts. Anchor bolts supplied.

### 2 In Wood

- > Seat length: 2000 mm.
- > Structure in FSC certified exotic hard wood 93 x 93 mm.
- > Seat and backrest in FSC certified exotic hard wood, depth 36 mm.
- > Wood finish: water based mahogany colour stain preserver.
- > Anchor bolts supplied.

1	Length 2000 mm - Wood & Steel	209415
---	-------------------------------	--------

2	Length 2000 mm - All Wood	209442
---	---------------------------	--------

3 / 4

## RIGA BENCHES

Sleek and sturdy for a moment of comfort.

### 3 In Wood & Steel

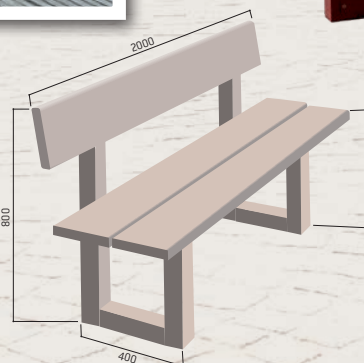
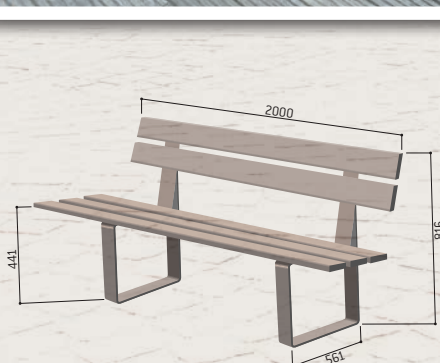
- > Seat length: 2000 mm.
- > Structure in 80 x 8 mm steel tubes, painted with zinc primer, finished in RAL 9005 (black).
- > Seat in FSC certified exotic hard wood, depth 36 mm.
- > Wood finish: water based mahogany colour stain preserver.
- > Wood uses tamper-proof bolts. Anchor bolts supplied.

### 4 In Wood

- > Seat length: 2000 mm.
- > Structure in FSC certified exotic hard wood 93 x 93 mm.
- > Seat in FSC certified exotic hard wood, depth 36 mm.
- > Wood finish: water based mahogany colour stain preserver.
- > Anchor bolts supplied.

3	Length 2000 mm - Wood & Steel	209186
---	-------------------------------	--------

4	Length 2000 mm - All Wood	209185
---	---------------------------	--------



Product is shipped flat packed for self assembly.

Product is shipped assembled.



**5 / 6**

**VENICE SEATS**

With their contemporary design, the Venice seats offer a unique look to your green spaces, notably thanks to the beautiful woodwork, featuring 3 wood planks of different widths with soft rounded edges. The backrests are available in wood or wood & steel. Also available in a full steel version.

**In Wood & Steel**

- > Length: 1800 mm.
- > Frame 450 x 450 mm steel, 3 mm thickness, painted with zinc primer & finished in our colour options.
- > Seat in 36 mm deep FSC certified exotic hard wood, finished with a based colour stain preserver in light oak or mahogany.
- > 2 versions available :
  - backrest in all wood
  - backrest in wood & steel
- > Anchor bolts supplied.

**All Steel**

> Same characteristics as above but backrest in 2 steel sections and steel seat. Painted with zinc primer & finished in our colour options (see page 4).

<b>5</b>	Venice seat 1800 mm - backrest in all wood	<b>209416</b>
<b>6</b>	Venice seat 1800 mm - backrest in wood & steel	<b>209412</b>
<b>NEW</b>	Venice seat 1800 mm - All steel	<b>209419</b>

**7**

**VENICE BENCH**

**In Wood & Steel**

- > Length: 1800 mm.
- > Frame 450 x 450 mm steel, 3 mm thickness, painted with zinc primer & finished in our colour options.
- > Seat in 36 mm deep FSC certified exotic hard wood, finished with a based colour stain preserver in light oak or mahogany.
- > Anchor bolts supplied.

**All Steel**

> Same characteristics as above but with steel seat. Painted with zinc primer & finished in our colour options (see page 4).

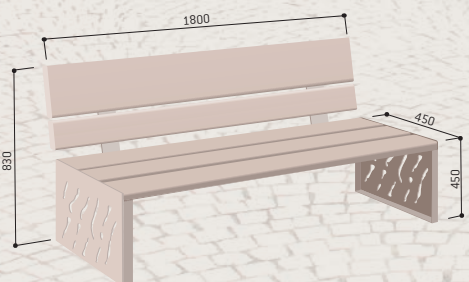
	Venice bench 1800 mm - wood & steel	<b>209169</b>
<b>7</b>	Venice bench 1800 mm - All steel	<b>209164</b> <b>NEW</b>



**5**



**6**



Product is shipped flat packed for self assembly.

COMFORT

CLEANLINESS

GREEN SPACES

INFORMATION DISPLAY

BICYCLE STANDS & SHELTERS

STREET FURNITURE

1

## PAGODA SEAT

Sturdy, this discreet seat will easily find its place in any environment to provide quality comfort.

- > Seat length: 2000 mm.
- > Frame 80 x 80 mm steel tubes painted with zinc primer, finished in our RAL colours.
- > Seat and backrest in 36 mm deep FSC certified exotic hard wood.
- > Wood finish: water based colour stain preserver in light oak or mahogany or lacquered in our RAL colours.
- > Wood uses tamper-proof bolts.
- > Mounted on base plates. Anchor bolts supplied.

Length 2000 mm - painted wood finish	<b>299443</b>
Length 2000 mm - stained wood finish	<b>299444</b>

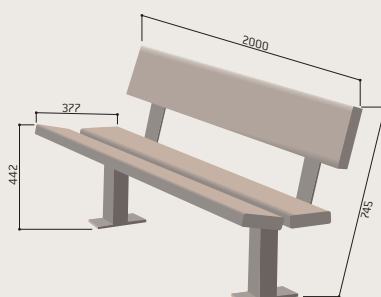
2

## PAGODA BENCH

The Pagoda bench is a complement to the Pagoda seat, creating harmony in green space planning.

- > Seat length: 2000 mm.
- > Frame 80 x 80 mm steel tubes painted with zinc primer, finished in our RAL colours.
- > Seat in 36 mm deep FSC certified exotic hard wood.
- > Wood finish: water based colour stain preserver in light oak or mahogany or lacquered in our RAL colours.
- > Wood uses tamper-proof bolts.
- > Mounted on base plates. Anchor bolts supplied.

Length 2000 mm painted wood finish	<b>299187</b>
Length 2000 mm stained wood finish	<b>299193</b>



Product is shipped flat packed for self assembly.



3

## BARCELONA SEAT

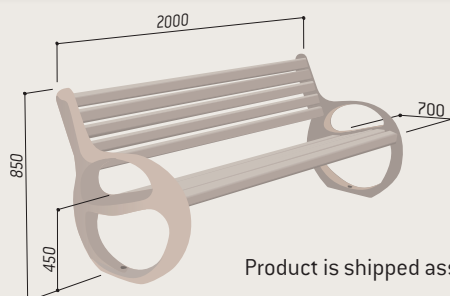
Every town & public area wants something unique, to create its own character, something no one else has: prestige & notoriety.

PROCITY® engineers carried out much testing to have a better understanding of the human body and proportions to ensure absolute comfort in a stylish and innovative design.

- > Seat length: 2000 mm.
- > Cast steel structure painted with zinc primer, finished in RAL 9005 or PROCITY® grey.
- > 60 mm deep PEFC certified French oak.
- > Mounted on base plates. Anchor bolts supplied.
- > Wood finish: water based colour mahogany stain preserver.

Length 2000 mm

209417



Product is shipped assembled.

COMFORT

CLEANLINESS

GREEN SPACES

INFORMATION DISPLAY

BICYCLE STANDS & SHELTERS

STREET FURNITURE



1

## HERITAGE SEAT

A traditional seat design offering remarkable comfort.

- > Seat length: 2000 mm.
- > Cast steel structure painted with zinc primer.
- > 27 x 24 mm deep PEFC certified French oak.
- > Wood finish: water based colour stain preserver in light oak or mahogany or lacquered in our RAL colours.
- > Mounted on base plates. Anchor bolts supplied.

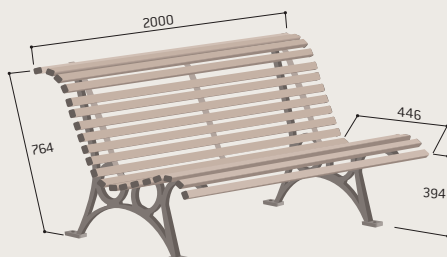
Length 2000 mm - painted wood finish	<b>209436</b>
--------------------------------------	---------------

Length 2000 mm - stained wood finish	<b>209437</b>
--------------------------------------	---------------

1



1



Product is shipped assembled.

2

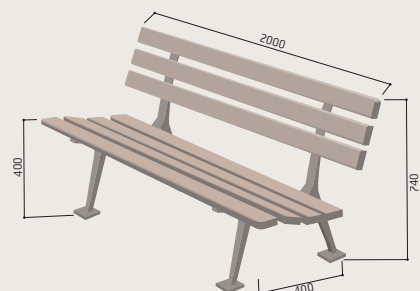
## AUBEL SEAT

A robust and elegant cast structure that ensures excellent comfort.

- > Seat length: 2000 mm.
- > Cast steel structure painted with zinc primer, finished in black (RAL 9005).
- > 36 mm deep PEFC certified French oak.
- > Wood finish: water based colour stain preserver in light oak or mahogany.
- > Mounted on base plates. Anchor bolts supplied.

Length 2000 mm	<b>209445</b>
----------------	---------------

2



Product is shipped flat packed for self assembly.



**3 / 4**

**OSLO SEAT**

A discreet and timeless design, two materials and two variants of lengths.

**3 All Steel**

- > Seat lengths: 1500 or 1800 mm.
- > Steel tube pedestal legs: Ø 76 mm.
- > Seat and backrest made of 2.5 mm perforated sheet steel.
- > Rounded ends and edges for security.
- > Steel painted with zinc primer, finished in our RAL colours.
- > To be concreted directly into the ground.
- > Optional base covers to mask fixing available.

**4 Wood & Steel**

- > Same structure characteristics.
- > 36 mm deep PEFC certified French oak, rounded ends and edges to prevent splintering.
- > Wood finish: water based light oak colour stain preserver.

Length 1500 mm - all steel	<b>209120</b>
Length 1500 mm - wood & steel	<b>209400</b>
Length 1800 mm - all steel	<b>209121</b>
Length 1800 mm - wood & steel	<b>209401</b>
Optional base covers	<b>206108</b>



**5 / 6**

**OSLO BENCHES**

Oslo comfort with a minimum space requirement in steel & wood or steel.

**5 Wood & steel**

- > Seat length: 1500 mm.
- > Seat height: 450 mm.
- > Steel tube pedestal legs: Ø 76 mm.
- > Steel painted with zinc primer, finished in our RAL colours.
- > 36 mm deep PEFC certified French oak, rounded ends and edges to prevent splintering.
- > Wood finish: water based mahogany colour stain preserver.
- > To be concreted directly into the ground.
- > Optional base covers to mask fixing available.

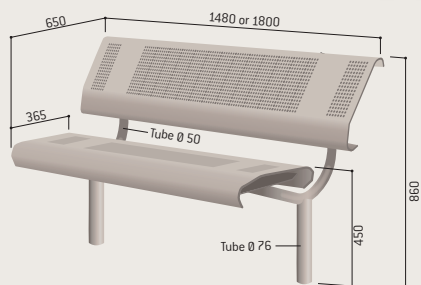
**6 All Steel**

- > Same structure characteristics as above.
- > Seat made of 2.5 mm perforated sheet steel.
- > Rounded ends and edges for security.
- > Steel painted with zinc primer, finished in our RAL colours.

Length 1500 mm - wood & steel	<b>209188</b>
Length 1500 mm - all steel	<b>209160</b>
Optional base covers	<b>206108</b>



Optional base covers



Product is shipped flat packed for self assembly.

**1** and **2****VERCORS SEAT & BENCH****1 Vercors seat:**

Extremely strong and with a rounded design, extra-wide wooden slats, a seat that meets all your needs. Complements the Vercors litter bin and bicycle stand.

- > Seat length: 2000 mm.
- > Frame Ø 60mm steel tubes painted with zinc primer, finished in our RAL colours.
- > Seat and backrest in 36mm deep FSC certified exotic hard wood.
- > Wood finish: water based colour stain preserver in light oak or mahogany or lacquered in our RAL colours.
- > Wood uses tamper-proof bolts.
- > Mounted on base plates. Anchor bolts supplied.

Length 2000 mm - painted wood finish	<b>299446</b>
Length 2000 mm - stained wood finish	<b>299435</b>

**2 Vercors bench:**

The only PROCITY® bench with armrests.

- > Seat length: 2000 mm.
- > Seat height: 420 mm.
- > Frame Ø 60 mm steel tubes painted with zinc primer, finished in our RAL colours.
- > Seat in 36 mm deep FSC certified exotic hard wood.
- > Wood finish: water based colour stain preserver in light oak or mahogany or lacquered in our RAL colours.
- > Wood uses tamper-proof bolts.
- > Mounted on base plates. Anchor bolts supplied.

Length 2000 mm - painted wood finish	<b>299189</b>
Length 2000 mm - stained wood finish	<b>299181</b>

**3** and **4****CONVIVIALE® SEAT & BENCH****3 Conviviale® seat:**

Made completely of steel, resistant to inclement weather conditions & acts of vandalism, the Conviviale® seat offers a long life span without the need for regular maintenance.

- > Total length: 2000 mm & seat length: 1840 mm.
- > 40 x 40 mm steel tubing.
- > Perforated 2mm sheet steel seat and backrest.
- > Steel painted with zinc primer, finished in our RAL colours.
- > To be concreted directly into the ground.

Length 2000 mm	<b>209020</b>
----------------	---------------

**4 Conviviale® bench:**

A comfortable bench featuring the characteristic Conviviale® design & cantilevered overhanging seat.

- > Total length: 2000 mm & seat length: 1840 mm.
- > 40 x 40 mm steel tubing.
- > Perforated 2 mm sheet steel seat.
- > Steel painted with zinc primer, finished in our RAL colours.
- > To be concreted directly into the ground.

Length 2000 mm	<b>209050</b>
----------------	---------------





5

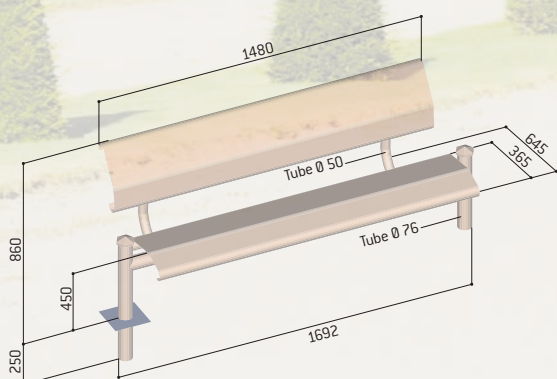
### MERCURE SEAT

A bench suited for the rigors of the environment. Structure in galvanised steel for maximum anti-corrosion protection.

- > Seat length: 1480 mm.
- > Steel tube pedestal legs: Ø 76 mm.
- > Seat and backrest made of 2.5 mm perforated sheet steel.
- > No sharp edges or angles.
- > Frame is galvanised.
- > Seat, backrest and aluminium top caps painted with zinc primer, finished in black (RAL 9005).
- > To be concreted directly into the ground.

Length 1500 mm

209145



Product is shipped flat packed for self assembly.

6

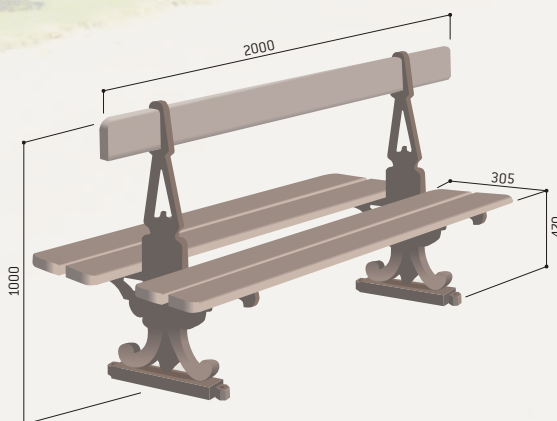
### PARIS SEAT

All the charm of Paris with the double sided seat. An invitation to travel in history! The back rest is trapezoidal in shape adding to the image of quality of the product.

- > Seat length: 2000 mm.
- > Cast steel structure, painted with zinc primer, finished in black (RAL 9005).
- > 36 mm deep PEFC certified French oak.
- > Wood finish: lacquered in our RAL colours.
- > Mounted on base plates. Anchor bolts supplied.

Length 2000 mm - double sided

209449



Product is shipped assembled.

1

**LUBLIN SEAT**

The elegance of ten slats and the remarkable strength of the robust cast make this bench a reference in parks and gardens.

- > Seat length: 2000 mm.
- > Cast steel structure, painted with zinc primer, finished in metallic grey.
- > Seat and backrest in 40 mm PEFC certified French oak.
- > Squareness provided by three stainless steel rods to the rear of the bench.
- > Wood finish: water based colour stain preserver in light oak or mahogany.
- > Mounted on base plates. Anchor bolts supplied.

Length 2000 mm

209484

2

**ASTER SEAT**

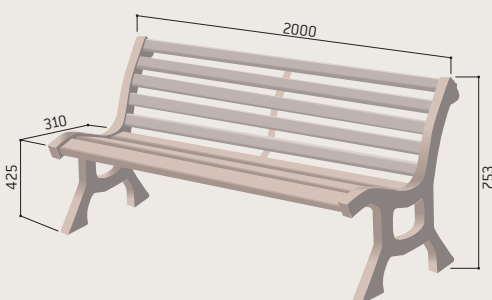
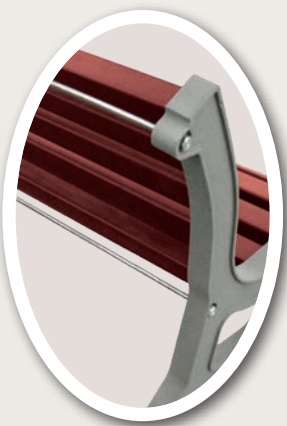
A contemporary steel & wooden seat. An economic & robust solution to public seating needs featuring a steel bolt down structure.

- > Seat length: 2000 mm.
- > Steel structure 80 x 8 mm, zinc primer with finish in black [RAL 9005].
- > Seat and backrest in 36 mm deep class 4 pine.
- > Wood finish: water based colour stain preserver mahogany.
- > Wood uses tamper-proof bolts.
- > Mounted on base plates. Anchor bolts supplied.

Length 2000 mm

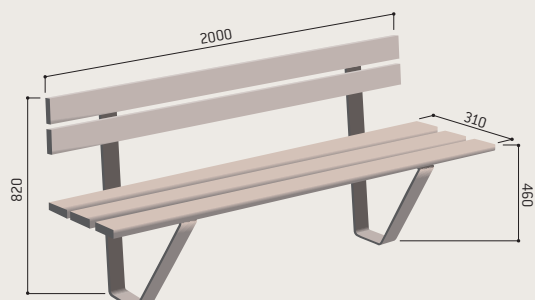
209414

1



Product is shipped assembled.

2



Product is shipped flat packed for self assembly.



**3 and 4**

**MORA SEAT**


A very popular seat using a cast structure featuring oak or pine seat and backrest.

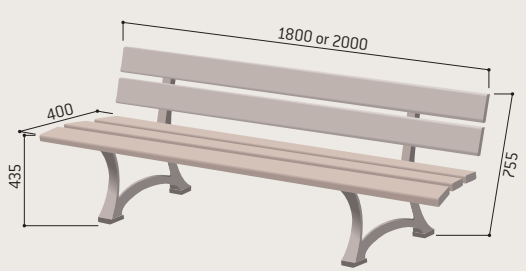
**3 Oak version:**

- > Seat length: 2000 mm.
- > Cast steel structure painted with zinc primer, finished in metallic grey.
- > Seat and backrest in 36 mm PEFC certified French oak.
- > Wood finish: water based colour stain preserver in light oak or mahogany.
- > Mounted on base plates. Anchor bolts supplied.

**4 Class IV pine version:**

- > Same characteristics as above however seat and backrest in class IV pine.
- > Wood finish: water based colour stain preserver in light oak or mahogany.
- > Seat length: 2000 mm.

Length 2000 mm - Oak	<b>209480</b>
Length 1800 mm - Class IV pine	<b>209482</b> 



Product is shipped flat packed for self assembly.

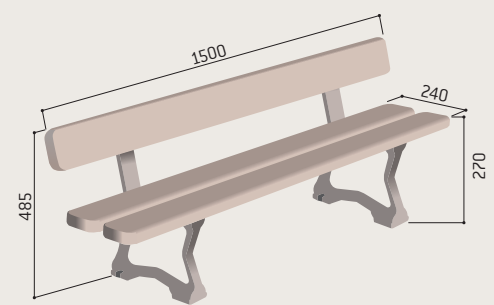
**5**

**MORA NURSERY SEAT**

A colourful and sturdy seat, for the greatest happiness of the youngest of children.

- > Seat length: 1500 mm.
- > Seat height: 270 mm.
- > Cast steel structure, painted with zinc primer, finished in RAL 3020 (red), RAL 1023 (yellow), RAL 6018 (green), RAL 5010 (blue).
- > Seat and backrest in PEFC certified French oak wood.
- > Wood finish: lacquered in a single colour or multi-colour.
- > Mounted on base plates. Anchor bolts supplied.

Length 1500 mm - Multi-colour	<b>299010</b>
Length 1500 mm - Single colour	<b>299011</b>



Product is shipped flat packed for self assembly.

COMFORT

CLEANLINESS

GREEN SPACES

INFORMATION DISPLAY

BICYCLE STANDS & SHELTERS

STREET FURNITURE

1

LUGANO SEAT Ø 76 mm

Simplicity and strength are the main characteristics of the all-steel seat, available in two lengths and a choice of four decorative top caps.

- > Seat length: 1500 or 1800 mm.
- > Steel tube pedestal legs Ø 76 mm.
- > Choice of 4 top caps.
- > Seat and backrest made of 2.5 mm perforated sheet steel.
- > No sharp edges or angles.
- > Steel painted with zinc primer, finished in our RAL colours.
- > To be concreted directly into the ground.



Top cap:	City	Agora	Sphere	Forum	Stainless steel
Length 1500 mm	209300	209301	209302	209303	209304
Length 1800 mm	209310	209311	209312	209313	209314

2

LUGANO BENCH Ø 76 mm

Pressed steel seat with a choice of four decorative top caps.

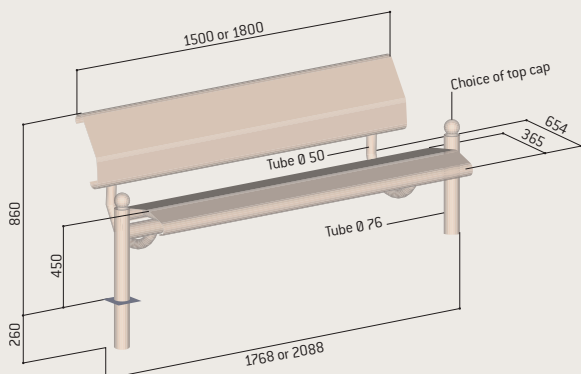
- > Seat length: 1500 mm.
- > Steel tube pedestal legs Ø 76 mm.
- > Choice of 4 top caps.
- > Seat made of 2.5 mm perforated sheet steel.
- > No sharp edges or angles.
- > Steel painted with zinc primer, finished in our RAL colours.
- > To be concreted directly into the ground.



Top cap:	City	Agora	Sphere	Forum	Stainless steel
Codes	209330	209331	209332	209333	209334



1



Product is shipped flat packed for self assembly.

2





3

**ESTORIL SEAT  $\varnothing$  76 mm**

- A steel seat known for its robustness and curves with a choice of four decorative top caps.
- > Seat length: 1800 mm.
  - > Steel tube pedestal legs  $\varnothing$  76 mm.
  - > Choice of 4 top caps.
  - > Seat and backrest made of 2 mm perforated sheet steel, encircled by a  $\varnothing$  38 mm steel tube.
  - > No sharp edges or angles.
  - > Steel painted with zinc primer, finished in our RAL colours.
  - > To be concreted directly into the ground.



Top cap:	City	Agora	Sphere	Forum	Stainless steel
Codes	209320	209321	209322	209323	209324

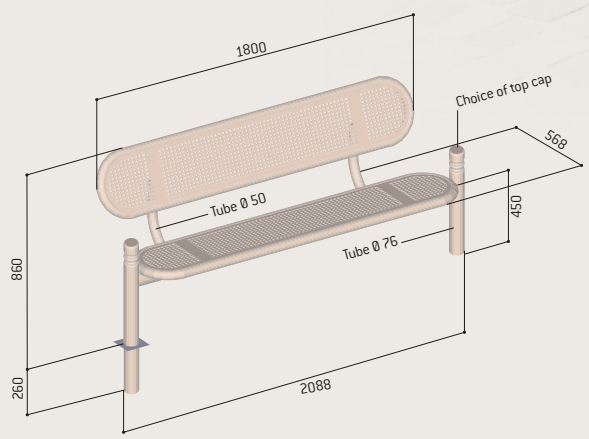
4

**ESTORIL BENCH  $\varnothing$  76 mm**

- A reinforced steel bench without sacrificing the elegance of decorative top caps.
- > Seat length: 1800 mm.
  - > Steel tube pedestal legs  $\varnothing$  76 mm.
  - > Choice of 4 top caps.
  - > Seat made of 2 mm perforated sheet steel, encircled by a  $\varnothing$  38 mm steel tube.
  - > No sharp edges or angles.
  - > Steel painted with zinc primer, finished in our RAL colours.
  - > To be concreted directly into the ground.



Top cap:	City	Agora	Sphere	Forum	Stainless steel
Codes	209340	209341	209342	209343	209344



Product is shipped flat packed for self assembly.

COMFORT

CLEANLINESS

GREEN SPACES

INFORMATION DISPLAY

BICYCLE STANDS & SHELTERS

STREET FURNITURE

1

**CONVIVIALE® PERCH SEAT**

Designed to enhance pedestrian zones, (commuter stops, market places, school exits, etc.) and to provide a very comfortable place to take a rest.

- > 40 x 40 mm steel frame; steel tube seating surface Ø 76 mm.
- > Length: 760 mm, height above ground: 1100 mm, total height: 1280 mm.
- > Seat height: 797 mm.
- > Steel painted with zinc primer, finished in our RAL colours.
- > To be concreted directly into the ground.
- > May be made removable by using the kit.

Conviviale® Perch seat	<b>209165</b>
Removable kit	<b>203402</b>



1



Removability kit

2

**LUGANO PERCH SEAT**

Comfort and efficiency are the hallmarks of this perch seat which will harmonise easily with the rest of your street furniture.

- > Steel tube pedestal legs Ø 76 mm.
- > Choice of 4 top caps.
- > Made of 2.5 mm perforated sheet steel, no sharp edges or angles.
- > Seat length 900 mm, overall length 1112 mm, seat width 250 mm.
- > Seat height: 747 mm.
- > Steel painted with zinc primer, finished in our RAL colours.
- > To be concreted directly into the ground.



Top cap:	City	Agora	Boule	Sphere	Stainless steel
Codes	<b>209175</b>	<b>209176</b>	<b>209177</b>	<b>209179</b>	<b>209184</b>



2



1



3

### OSLO PERCH SEAT

A very comfortable perch seat discretely designed for a small pavement footprint.

- > Steel tube pedestal legs Ø 76 mm.
- > Seat made of 2.5 mm perforated sheet steel. No sharp edges or angles.
- > Seat length 900 mm, seat width 250 mm.
- > Seat height: 747 mm.
- > Steel painted with zinc primer, finished in our RAL colours.
- > To be concreted directly into the ground.
- > Optional base cover in cast aluminium to mask fixing available.

Length 900 mm	<b>209161</b>
Optional base cover	<b>206108</b>

4

### ESTORIL PERCH SEAT

A model to complement other products in the Estoril range.

- > Steel tube pedestal legs Ø 76 mm.
- > Choice of 4 top caps.
- > Made of 2 mm perforated sheet steel, framed with a decorative steel tube Ø 38 mm.
- > Seat length 900 mm, overall length 1112 mm, seat width 345 mm.
- > Seat height: 747 mm.
- > Steel painted with zinc primer, finished in our RAL colours.
- > To be concreted directly into the ground.



Top cap:	City	Agora	Sphere	Forum	Stainless steel
Codes	<b>209155</b>	<b>209156</b>	<b>209157</b>	<b>209146</b>	<b>209162</b>



COMFORT

CLEANLINESS

GREEN SPACES

INFORMATION DISPLAY

BICYCLE STANDS & SHELTERS

STREET FURNITURE



1 | 2

## SILAOS® PICNIC TABLE SET

A full Silaos® range in oak in a variety of finishes and sizes to meet all requirements to furnish picnic areas.

### Common characteristics:

- > Frame in 30 x 50 mm steel tubes, painted on zinc primer in our RAL colours.
- > PEFC certified French oak, depth 36 mm.
- > Wood finish: water based colour stain preserver in light oak or mahogany.
- > Wood uses tamper-proof bolts. Mounted on base plates. Anchor bolts supplied.
- > Product is shipped flat packed for self assembly.

### Range of products:

- > Seats: Wood & steel or all steel (see page 9).
- > Benches: Wood & steel or all steel (see page 11).
- > Chairs: Wood & steel or all steel (see page 11).
- > Assist chair (see page 12).
- > Low Table: 4 oak slats, height 500 mm, length 1200 mm.
- > Picnic Table: 6 oak slats, height 750 mm, length 1800 mm.

*Light oak or  
Mahogany stain*

**1** Low table - l 1200 x w 520 x h 495 mm

**594121**

**2** Picnic table - l 1800 x w 790 x h 750 mm

**209464**





3

## CÔME PICNIC TABLE SET

A high quality handmade picnic table and bench set. Manufactured from the finest materials & uniquely crafted with the finest attention to detail. A very clean design, the Côme is elegant & modern.

**Common characteristics:**

- > FSC certified exotic hard wood, depth 36 mm.
- > Wood finish: water based colour stain preserver in light oak or mahogany.
- > Anchor bolts supplied.
- > Product is shipped assembled.

**Products available:**

- > Côme Table: length 1800 mm, width 810 mm, height 760 mm.
- > Côme Bench: length 1800 mm, width 300 mm, height 450 mm.

Table + 2 benches	<b>209462</b>
Table only	<b>209465</b>
Bench only	<b>209466</b>



COMFORT

CLEANLINESS

GREEN SPACES

INFORMATION DISPLAY

BICYCLE STANDS & SHELTERS

STREET FURNITURE



1

## RIGA PICNIC TABLE

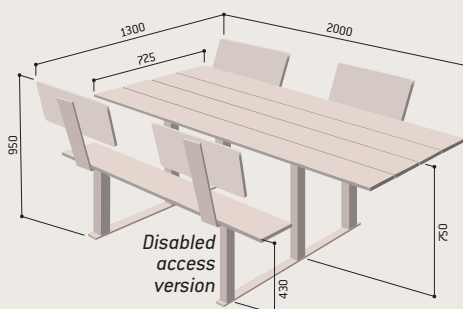
A comfortable picnic table for four people, featuring backrests. Also available in disabled access version with an extended table for easy wheelchair access.

- > Standard version: length 1500 mm, width 1300 mm, height 750 mm.
- > Disabled access version: length 2000 mm, width 1300 mm, height 750 mm.
- > Structure in steel tubes, painted on zinc primer, finished in RAL 9005 (black).
- > Seat and backrest made of 18 mm compact HPL.
- > Wood finish: mahogany effect.
- > Anchor bolts supplied.

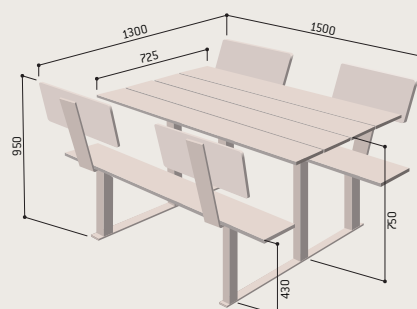
Riga - Standard version	<b>209461</b>
Riga - Disabled access version	<b>209463</b>



209463  
Disabled access version



Product is shipped flat packed for self assembly.



Product is shipped flat packed for self assembly.



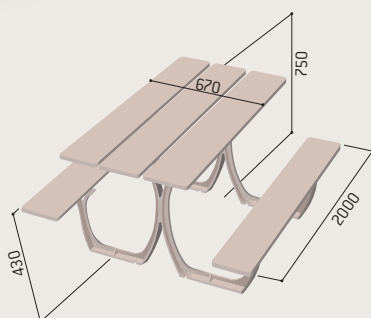
2

### SEVILLE PICNIC TABLE

A robust oversized picnic table. Also available in disabled access version for easy wheelchair access.

- > Standard version: length 2000 mm, width 1320 mm, height 750 mm.
- > Disabled access version: length 2000 mm, width 1320 mm, height 750 mm.
- > Cast steel structure, painted with zinc primer, finished in RAL 9005 (black).
- > Seat and table in 36 mm deep FSC certified exotic hard wood.
- > Wood finish: water based colour stain preserver in light oak or mahogany or lacquered in our RAL colours.
- > Mounted on base plates. Anchor bolts supplied.

Seville - Standard version	<b>209468</b>
Seville - Disabled access version	<b>209469</b>



Product is shipped flat packed for self assembly.

3

### CHILDREN'S PICNIC TABLE

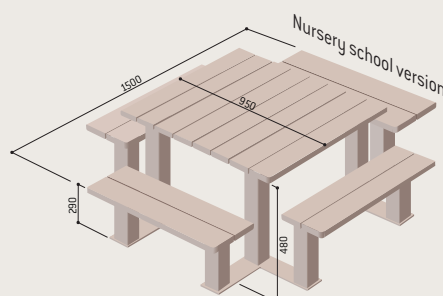
A fun place for little children to have a picnic.

- > Total size:
  - Nursery school version: 1500 x 1500 mm.
  - Primary school version: 1630 x 1630 mm.
- > Table size: 950 x 950 mm.
- > Seat heights:
  - Nursery school version: 290 mm.
  - Primary school version: 390 mm.
- > Whole product in 22 mm depth PEFC certified French oak wood, with a lacquered finish RAL 3020 (red), RAL 1023 (yellow), RAL 6018 (green), RAL 5010 (blue).
- > Anchor bolts supplied.

Nursery school version	
Seat height 290mm - Multi-colour	<b>208080</b>
Seat height 290mm - Single colour	<b>208081</b>

Primary school version	
Seat height 390mm - Multi-colour	<b>208085</b>
Seat height 390mm - Single colour	<b>208086</b>

3 208080



Product is shipped assembled.

## S U M M A R Y

- 33** Cologne & Luton litter bins
- 34** Barcelona & Seville litter bins
- 35** Silaos® litter bins
- 36** Lofoten litter bins
- 37** Olbia & Venice litter bin
- 38** Valencia & Cergy litter bins
- 39** Santiago & Vercors litter bins
- 40** Morvan & Aunis litter bins
- 41** Conviviale® litter bins
- 42** Post mounted PROCITY® standard steel litter bin
- 43** Base & wall mounted PROCITY® standard steel litter bins
- 44** Wheelie bin stores
- 46** PROCITY® & wooden recycling point



**1 to 3**

**COLOGNE LITTER BINS  
60, 40 & 35 LITRES**

Litter bins with elegant simplicity for all purposes. The semicircular litter bin is available in two versions, for floor or wall mounting.

**1 Circular 60 litres**

- > Capacity: 60 litres.
- > Dimensions: Ø 460 x H 640 mm.
- > Litter bin in FSC certified exotic hard wood, depth 22 mm.
- > Wood finish: water based colour stain preserver in light oak or mahogany.
- > Internal bucket supplied.
- > Anchor bolts supplied.

**2 Semicircular 35 litres**

- > Dimensions: Ø 510 x H 600 mm.
- > Internal bucket supplied.
- > Capacity: 35 litres.

**3 Junior 40 litres**

- > Dimensions: Ø 370 x H 590 mm.
- > PEFC certified French oak wood slats.
- > Wood finish: lacquered in a single colour or multi-colour (RAL red 3020, yellow 1023, green 6018, blue 5010).
- > Internal bucket supplied.
- > Capacity: 40 litres.

Circular	
60 litres	208063
Semicircular	
35 litres - floor mounting	208062
35 litres - wall mounting	208064
Junior	
40 litres Junior - Single colour	208070
40 litres Junior - Multi-colour	208071

**4**

**LUTON LITTER BIN  
45 LITRES**

A simple and economic refuse solution.

- > Capacity: 45 litres.
- > Dimensions: Ø 380 x H 600 mm.
- > Litter bin cladding in class IV pine depth 20 mm.
- > Wood finish: water based "teak" colour stain preserver.
- > Internal bucket supplied.
- > Used with 45 litres bags (not supplied).

45 litres	208072
-----------	--------



**1**



**2**



**3**



**1 / 2**

## BARCELONA LITTER BIN 60 LITRES

A litter bin on a central base featuring double aluminium crowns.

- > Capacity: 60 litres.
- > Dimensions: Ø 460 x 860 mm.
- > Litter bin in PEFC certified French oak, depth 22 mm.
- > Steel tube pedestal leg Ø 76 mm painted with zinc primer.
- > Aluminium upper & lower crowns in RAL 7044.
- > Internal bucket supplied.
- > Wood finish: Lacquered in a single colour or multi-colour RAL 3020 (red), RAL 1023 (yellow), RAL 6018 (green), RAL 5010 (blue) or stained in light oak of mahogany colour.
- > To be concreted directly into the ground.

<b>1</b> 60 litres - Stained	<b>208066</b>
------------------------------	---------------

<b>2</b> 60 litres - Multi-colour	<b>208061</b>
-----------------------------------	---------------

60 litres - Single colour	<b>208065</b>
---------------------------	---------------

**3 to 5**

## SEVILLE LITTER BINS 100 LITRES

A large capacity litter bin emptying from the front, ideal for large green spaces and parks. All wood in two shapes with lifting wooden lids.

### Standard versions **3 & 4**

- > Capacity: 100 litres.
- > Dimensions:
  - Octagonal version: Ø 470 mm x H 938 mm.
  - Rectangular version: 320 mm x 475 mm x H 930 mm.
- > Litter bin decoration in FSC certified exotic hardwood, depth 22 mm.
- > Galvanised steel structure.
- > Lid handle in aluminium.
- > Front opening.
- > Wood finish: water based colour stain preserver in light oak or mahogany.
- > Anchor bolts supplied.
- > Used with 100 litres bags (not supplied).

### **5** Economy version

- > Same characteristics as the standard version uses class IV pine, depth 36 mm.

Standard version	
<b>3</b> 100 litres bin - octagonal	<b>208068</b>
100 litres bin - octagonal with bucket	<b>208059</b> <span style="color: red; font-weight: bold;">NEW</span>
<b>4</b> 100 litres bin - rectangular	<b>208067</b>

Economy version <span style="color: red; font-weight: bold;">NEW</span>	
<b>5</b> 100 litres bin - octagonal	<b>208052</b>
100 litres bin - octagonal with bucket	<b>208058</b>
100 litres bin - rectangular	<b>208053</b>





**6 to 9**

**SILAOS® LITTER BINS  
30 & 50 LITRES**

A range of litter bins designed in an eco-responsible Silaos® spirit, (PEFC certified oak, water based stain wood preserver, recycled steel), complements all Silaos® seats & benches.

**6 to 8 Wood & steel litter bin 30 & 50 litres**

- > Capacity: 30 or 50 litres.
- > Litter bin in PEFC certified French oak, depth 22 mm.
- > Structure in steel, painted with zinc primer, finished in our RAL colours.
- > Wood finish: water based colour stain preserver in light oak or mahogany.
- > Available with or without hinged lid.
- > To be concreted directly into the ground.

**9 All steel litter bin 50 litres**

- > Capacity: 50 litres.
- > Plasma cut steel body.
- > Structure in steel, painted with zinc primer, finished in our RAL colours.
- > Available with or without hinged lid.
- > Top available with or without integrated ashtray.
- > To be concreted directly into the ground.



**6** 594135 (50L)

Wood & steel litter bins		
	Capacity	Light oak or Mahogany stain

Without lid

D 470 x W 275 x H 725 mm	30 Litres	<b>594131</b>
<b>6</b> D 395 x W 395 x H 685 mm	50 Litres	<b>594135</b>

With lid

<b>7</b> D 420 x W 395 x H 680 mm	50 Litres	<b>594137</b>
-----------------------------------	-----------	---------------

Tipping version

<b>8</b> D 480 x W 280 x H 870 mm	30 Litres	<b>594133</b>
-----------------------------------	-----------	---------------

All steel litter bin - 50 litres	
Without lid - D 455 x W 275 x H 725 mm	<b>594140</b>
<b>9</b> With lid - D 480 x W 270 x H 870 mm	<b>594141</b>
With integrated ashtray - D 480 x W 270 x H 950 mm	<b>594142</b> <span style="color: red; font-weight: bold;">NEW</span>



**8** 594133 (30L)



594133 (30L)

**7** 594137 (50L)



**9** 594141 (50L)



**AVAILABLE IN  
ASHTRAY TOP**

COMFORT

CLEANLINESS

GREEN SPACES

INFORMATION DISPLAY

BICYCLE STANDS  
& SHELTERS

STREET FURNITURE

1

## LOFOTEN ANTI-TERRORIST LITTER BIN 100 LITRES

Created to allow a perfect view of the contents of the litter bin. Side opening for ease of emptying.

- > Bin in steel.
- > Dimensions: Ø 495 mm x ht 855 mm.
- > Lid in steel with key-less locking system.
- > Lateral opening for easy removal of bags.
- > Can take bags of 100 litres (not supplied).

Lofoten anti-terrorism litter bin **208099**



2 / 3

## LOFOTEN LITTER BINS 80 LITRES

Design of a rare elegance with the litter bin resting on either a cast steel base or base plate and available in two decorative styles: slats of FSC exotic hard wood or steel.

- > Litter bin in exotic hardwood, depth: 22 mm or in steel.
- > Dimensions: Ø 495 mm x ht 855 mm.
- > Lid in steel with lock (triangle key).
- > With or without bucket.
- > Self-locking, without key.
- > Can take bags of 80 litres (not supplied).
- > Steel painted with zinc primer, finished in our RAL colours.
- > Wood finish: water based colour stain preserver in light oak or mahogany.

All steel litter bin - with bucket	<b>208172</b>
------------------------------------	---------------

<b>2</b> All steel litter bin - without bucket	<b>208171</b>
--	---------------

Wood & steel litter bin - with bucket	<b>208173</b>
---------------------------------------	---------------

<b>3</b> Wood & steel litter bin - without bucket	<b>208174</b>
---	---------------





4

**OLBIA LITTER BIN  
80 LITRES**

- A simple, elegant and modern litter bin with a large capacity.
- > Capacity: 80 litres.
  - > Dimensions: Ø 470 mm x H 750 mm.
  - > Frame is steel.
  - > Internal bucket supplied.
  - > Locking lid in sheet steel with a triangle key.
  - > Steel painted with zinc primer, finished in our RAL colours.
  - > Anchor bolts supplied.

80 litres	<b>208079</b>
-----------	---------------



5

**VENICE LITTER BIN  
80 LITRES**

- Modernity in public spaces. An excellent alternative to cast iron litter bins to update an environment. The Venice bin is complemented by the Venice planters, tree grilles & seats.
- > Capacity: 80 litres.
  - > Dimensions:
    - Standard Venice: Ø 465 x H 750 mm.
    - Covered Venice: Ø 465 x H 933 mm.
  - > Frame is steel with a decorative plasma cut steel body.
  - > Internal bucket supplied.
  - > Locking lid in sheet steel with a triangle key.
  - > Steel painted with zinc primer, finished in our RAL colours.
  - > Anchor bolts supplied.

Standard Venice litter bin	<b>208060</b>
Covered Venice litter bin	<b>208125</b>



COMFORT

CLEANLINESS

GREEN SPACES

INFORMATION DISPLAY

BICYCLE STANDS & SHELTERS


STREET FURNITURE

1

## VALENCIA LITTER BINS 40 LITRES

Steel litter bin with a choice of side mounting post, either straight or curved.

- > Capacity: 40 litres.
- > Maximum dimensions: Ø 540 x H 815 mm.
- > Litter bin in steel, curved post in Ø 60mm, straight post in Ø 76mm tube.
- > Internal bucket fitted with two Ø 5mm handles with locking mechanism using triangle key.
- > Steel painted with zinc primer, finished in our RAL colours.
- > Self-adhesive pictogram supplied.
- > To be concreted directly into the ground.

Valencia on a Ø 60mm curved post	208203
Valencia on a Ø 76mm post with and Agora top cap	208205
Valencia on a Ø 76mm post with a stainless steel top cap	208206 



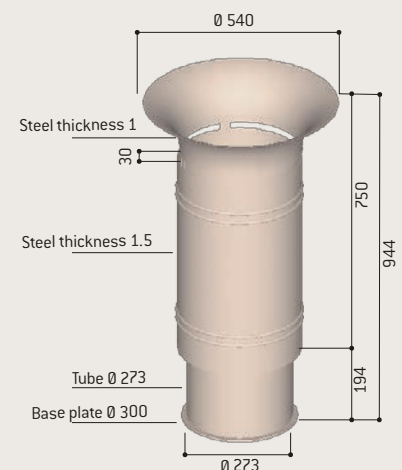
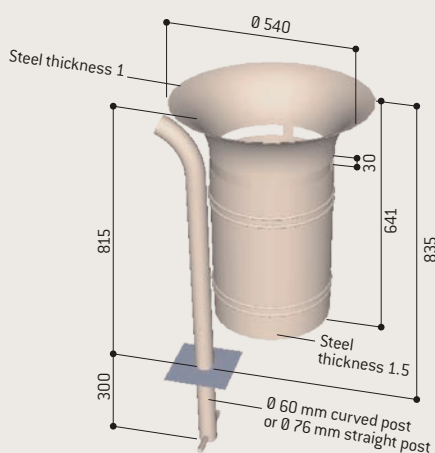
2

## CERGY LITTER BIN 60 LITRES

Steel litter bin on a cylindrical base, imposing by its height.

- > Capacity: 60 litres.
- > Maximum dimensions: Ø 540 x H 944 mm.
- > Litter bin and base in steel.
- > Internal bucket fitted with two Ø 5 mm handles with locking mechanism using triangle key.
- > Steel painted with zinc primer, finished in our RAL colours.
- > Self-adhesive pictogram supplied.
- > Base fitted with an internal cross piece for easy ground fixing.

Cergy 60 litres	208201
-----------------	--------





3

### SANTIAGO LITTER BINS 40 LITRES

The 76 mm tubes allow this bin to be equipped with a cover and also be harmonised with other street furniture with a choice of top caps.

- > Santiago benefits from a fixed aperture. To empty the litter bin, the body is held in position by 2 horizontal flat steel semicircles, of which one is raised to tip the litter bin to an angle of 45° for emptying.
- > Capacity: 40 litres.
- > Maximum dimensions: Ø 532 x H 1000 mm.
- > Litter bin in steel mounted on Ø 76 mm tube posts.
- > A choice of four decorative top caps.
- > Optional internal bucket fitted with two Ø 5 mm handles with locking mechanism using triangle key.
- > Steel painted with zinc primer, finished in our RAL colours.
- > Self-adhesive pictogram supplied.
- > To be concreted directly into the ground.



Top cap:	City	Agora	Sphere	Forum	Stainless steel
Without liner bucket	208220	208221	208222	208224	208231
With liner bucket	208225	208226	208227	208229	208233



3

4

### VERCORS LITTER BINS 40 LITRES

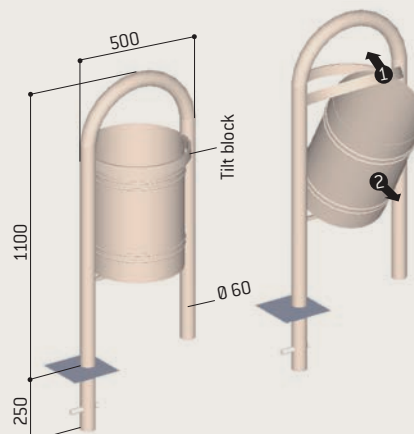
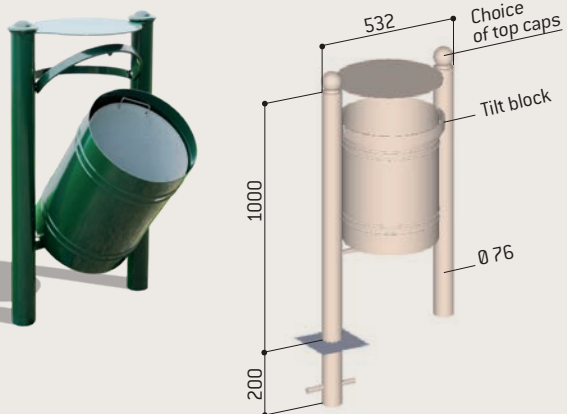
Follows the same designs as the Vercors seat and bench.

- > The same dimensions and functions as the Santiago litter bin.
- > Litter bin in steel mounted on Ø 60 mm tube.

Vercors without liner bucket	208210
Vercors with liner bucket	208211



4

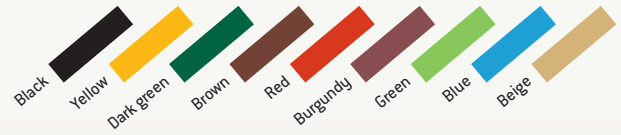


1 to 4

## MORVAN & AUNIS LITTER BINS 40 OR 90 LITRES

Made using non-shrinking polyethylene, with anti-UV treatment, for best outdoor performance.

- > Capacity: 40 or 90 litres.
- > Liner bucket in galvanised steel fitted with handles.
- > Bin equipped and secured with a triangle lock and key.
- > 40 litre model: wall mounted or post mounted (optional).
- > 90 litre model: attached to ground.
- > See adjacent table for available colours.



	Height bin	Ø Bin	Height liner	Code
<b>1</b> Morvan 40 litres Ø 385 mm	720	310	500	<b>208000</b>
<b>2</b> Morvan 90 litres Ø 445 mm	980	385	770	<b>208001</b>
<b>3</b> Aunis 40 litres Ø 385 mm	720	310	500	<b>208002</b>
<b>4</b> Aunis 90 litres Ø 445 mm	980	385	770	<b>208003</b>
Ø 60 mm post	1250			<b>208019</b>





**5 / 6**

**CONVIVIALE® STANDARD LITTER BIN  
50 LITRES**

The first litter bin designed to fit in naturally into a row of railings with minimum obstruction on the pavement. Its lower tap rail enables visually impaired people to detect it.

- >Capacity: 50 litres.
- >Length: 490 mm, height above ground: 1100 mm.
- >Steel tube verticals 40 x 40 mm, elegantly curved.
- >Steel tube cross members 30 x 3 mm, ground clearance: 150 mm.
- >Lid in 3 mm lacquered sheet aluminium.
- >Body of the bin in 1 mm galvanised steel sheet.
- >Elastic belt to hold the plastic bag in place supplied.
- >Steel painted with zinc primer, finished in our RAL colours.
- >To be concreted directly into the ground.

**6 Conviviale® Anti-terrorist litter bin**

>Same features as the Conviviale® standard litter bin, without the body of the bin to allow a perfect view of the contents.

<b>5</b> Standard litter bin	<b>208050</b>
<b>6</b> Anti-terrorist litter bin	<b>208155</b>



**7 / 8**

**CONVIVIALE® LITTER BINS  
30 OR 80 LITRES**

Two resolutely modern litter bins, blending plastic and steel. The two sizes available allow the size of litter bin to correspond to the attendance at the place of installation. The 30 litre version is available as post or wall mounting to offer even greater versatility.

**7 30 Litres**

- >Capacity: 30 litres.
- >Dimensions: H 1150 x 450 x 350 mm.
- >Steel tube structure 40 x 40 mm, elegantly curved.
- >Steel painted with zinc primer, finished in our RAL colours
- >Body of the bins made of thermoformed plastic with an anthracite finish.
- >Available with or without lid.
- >To be concreted directly into the ground or wall mounted.

**8 80 Litres**

- >Capacity: 80 litres.
- >Dimensions: H 1025 x 550 x 350 mm.
- >Steel tube structure 40 x 40 mm, elegantly curved.
- >Steel painted with zinc primer, finished in our RAL colours
- >Body of the bins made of thermoformed plastic with an anthracite finish.
- >Lid as standard.
- >Emptied from the front.
- >To be concreted directly into the ground.

	With lid	Without lid
<b>7</b> 30 litre litter bin - post mounted	<b>208056</b>	<b>208055</b>
30 litre litter bin - wall mounted	<b>208057</b>	<b>208054</b>
<b>8</b> 80 litre litter bin	<b>208051</b>	



COMFORT

CLEANLINESS

GREEN SPACES

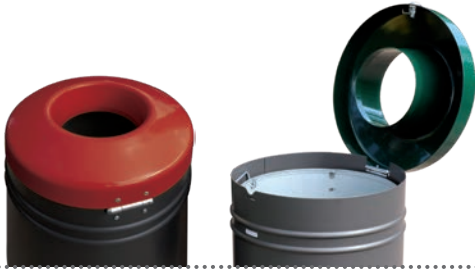
INFORMATION DISPLAY

BICYCLE STANDS & SHELTERS

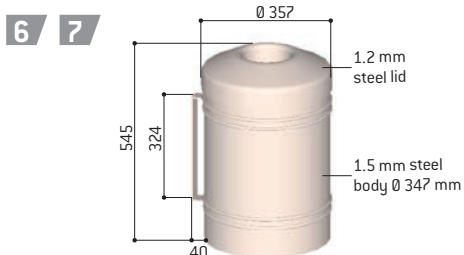
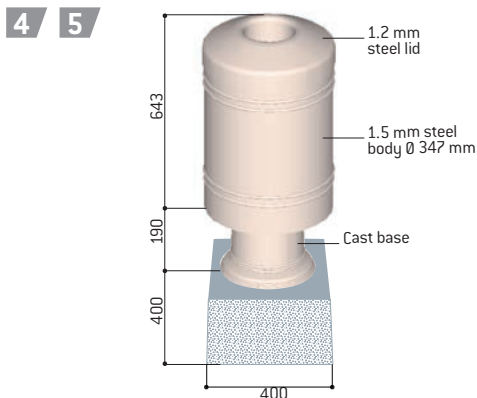
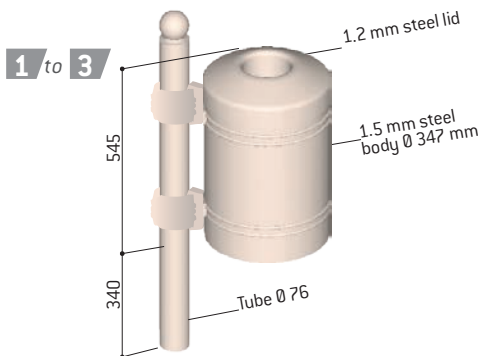
STREET FURNITURE

## FEATURES OF PROCITY® STANDARD STEEL LITTER BINS:

- > The lid is specially designed to be non-melting and self-extinguishing in case of fire, limits gas and odours escaping.
- > Small opening to prevent disposal of household waste.
- > Liner bucket made of 0.8 galvanised steel with lifting handle.



- > Locks: opening with a triangle key, top automatically snap-locks to the body.
- > Steel painted with zinc primer, finished in our RAL colours.
- > Optional base covers to mask fixing available.



1 to 3

## POST MOUNTED PROCITY® STANDARD STEEL LITTER BIN - 40 LITRES

Capacity: 40 Litres.

3 versions of post mounting:

- 1 Side mounted on a Ø 76 mm steel post attached by two cast aluminium collars. Choice of 4 top caps.
- 2 Mounted on a Ø 76 mm central steel post with a cast aluminium decorative base cover, to be concreted directly into the ground or to make removable if fixed into a Ø 76 mm Lockbloc® removable socket.
- 3 With ashtray as per technical characteristics of the ash-post.

To be concreted directly into the ground.

	City	Agora	Sphere	Forum	Stainless steel
Side post	208117	208118	208120	208116	208121
Ash-post	208165	208166	208167	208168	
Central post	208110				
Optional decorative base cover	206108				



Ash-post version  
208166



4 / 5

**BASE MOUNTED PROCITY® STANDARD STEEL LITTER BIN - 60 LITRES**

Capacity: 60 Litres.

A large steel litter bin with a choice of base fixings:

**4** Mounted on a Ø 270 mm cast aluminium base to be concreted directly into the ground or fixed into a Lockbloc® removable socket.

**5** Mounted on a galvanised steel cylindrical base, fitted with an internal cross piece for ground fixing.

<b>4</b> Cast base	<b>208100</b>
<b>5</b> Cylindrical base	<b>208101</b>
Removability kit	<b>206559</b>



6 / 7

**WALL MOUNTED PROCITY® STANDARD STEEL LITTER BIN- 40 LITRES**

A steel litter bin with a choice of fixings for wall mounting, Ø 76 mm posts or shelters.

Capacity: 40 Litres.

**6** Mounted on a pre-drilled, lacquered steel bar for wall mounting.

**7** With cast 2 collars to mount onto any Ø 76 mm post. (bus shelters, steel bollards, Province railings, Trio railings, etc.). Pre-drilled, lacquered steel bar 80 x 80 mm post (square posts bus shelters, Voute shelters etc).

Wall mounted	<b>208150</b>
For Ø 76 mm post	<b>208142</b>
For 80 x 80 mm post	<b>208141</b>



COMFORT

CLEANLINESS

GREEN SPACES

INFORMATION DISPLAY

BICYCLE STANDS & SHELTERS

STREET FURNITURE

1

### PROCITY® RECYCLING POINT 40 LITRES x 3

Make a set of recycling bins by assembling 1 to 3 standard PROCITY® steel litter bins around one central post. Use different coloured lids for easy identification. For the features of the litter bins, see page 44.



Your public recycling point consists of:

**A** An **initial PROCITY® standard** steel litter bin with liner on a Ø 76 mm steel post, lid & body in steel painted with zinc primer, finished in our RAL colours.


**B** One or two **additional PROCITY® standard** steel litter bins with liners and connecting parts, body in steel painted on zinc in our RAL colours; lid & body in steel painted with zinc primer, finished in our RAL colours.

**Optional**

> 3 self-adhesive recycling pictograms supplied.

A Initial litter bin	Top cap	Code	3 self-adhesive recycling pictograms. Dimensions of each sticker: H 185 x 160mm.	Code 208134
 <p>PROCITY® standard steel bin with liner on side post</p> 	City	208135		
	Agora	208136		
	Sphere	208137		
	Forum	208139		
	Inox	208133		

B Additional litter bins	Code
 <p>Additional bin(s) with liner and linking attachments, without post.</p>	208130



2

### WHELLIE BIN ENCLOSURES

The wheelie bin enclosure ensures that bins are always parked in the same place for collection and that the bin is eliminated as a potential road hazard. For access the tubes swivel to open and close.

- > Internal dimensions: length 700 mm & length 1400 mm.
- > Galvanised Ø 50 mm steel tube.
- > Integrated swivel opening system for simple and intuitive usage.
- > Compatible with most standards wheelie bin sizes.
- > Mounted on 5 mm base plates.

L 700 x 1000 mm	208093
L 1400 x 1000 mm	208094



2





3




## DECORATIVE WHEELIE BIN STORES

A totally modular system to adapt effectively to size requirements. Choose the number of posts required and select the quantities of cladding required. This product is also used as decorative maintenance free and easy to install fencing.

- > Galvanised steel posts H 1500 mm, (three types of post to suit the desired configuration: end, middle, angle): posts on base plates either fixed or adjustable.
- > A choice of cladding materials:
  - 177 x 13 mm HPL, H 1500 mm comprising 7 horizontal slats per panel. Available in two lengths: 750 mm and 1500 mm. A choice of three colours: light oak, mahogany or black.
  - 2 mm Galvanised steel, H 1500 mm L 750 mm. A choice of two styles: Olbia or Venice and finished in our RAL colours [see page 4].

	Adjustable	Fixed
Mid post on base plate	<b>208098</b>	<b>208097</b>
Angle post on base plate	<b>208083</b>	<b>208082</b>
End post on base plate	<b>208087</b>	<b>208084</b>
HPL cladding 7 slat length 1500mm		<b>208095</b>
HPL cladding 7 slat length 750mm		<b>208096</b>
<b>Olbia</b> galvanised steel cladding length 750mm		<b>208088</b>
<b>Venice</b> galvanised steel cladding length 750mm		<b>208089</b>


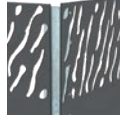
**Cladding in HPL**

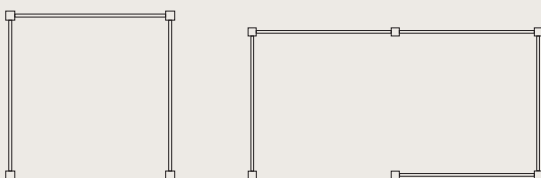
Light oak
Mahogany
Black

---

**Cladding in steel**

Olbia
Venice



Example of possible configuration

COMFORT

CLEANLINESS

GREEN SPACES

INFORMATION DISPLAY

BICYCLE STANDS & SHELTERS

STREET FURNITURE

## S U M M A R Y

- 47 Province planters
- 48 Venice planters
- 49 Silaos® planters
- 50 Brest planters
- 51 Olbia planters
- 52 Sarlat planters
- 53 Porto planters
- 54 Tree guard
- 55 Silaos® & Venice tree grilles





1 / 2

**PROVINCE PLANTERS**

A classic design offered in two formats (100% steel or wood & steel) & offering the choice of 4 decorative top caps and link bench.

**1 All steel**

**Structure**

- > Tubular Ø 76 mm corner posts.
- > Cladding in galvanised sheet steel.
- > Choice of 4 top caps.
- > Available in 3 versions:
  - Interior in galvanised steel sheet
  - Internal polyester resin planter
  - Removable internal polyester resin planter with inserts.
- > Screw jacks at base of posts for level adjustment in case of an uneven surface.

**Finish & assembly**

- > Finish: galvanised then painted, available in our RAL colours.
- > Product is shipped assembled.

**Options**

- > Water reservoir in geotextile (incompatible with galvanised interior version).
- > Lifting rings for use with the inserts in the internal removable polyester resin planter.

**2 Wood & steel**

> Same characteristics as the all steel version however features cladding panels in 22 mm FSC certified hard wood.

	Length x Width x Height (mm)	Version			Water reservoir
		Galvanised sheet interior	Internal polyester planter	Removable internal polyester planter	
City	800 x 800 x 750	201550	201555	201560	201606
Agora	800 x 800 x 750	201551	201556	201561	201606
Sphere	800 x 800 x 750	201552	201557	201562	201606
Forum	800 x 800 x 750	201553	201558	201563	201606
Stainless steel	800 x 800 x 750	201559	201568	201569	201606 <b>NEW</b>

Optional lifting rings **201291**






**Optional - Estoril bench to link planters**

Especially designed for using our planters to create the geometric pattern of your choice.

Benches include fittings to attach them to the planters.

- > Made of 2 mm perforated sheet steel, framed with a decorative steel tube.
- > Steel is zinc primed and finished in our RAL colours.

Estoril bench length 1800 mm **201300**

	Length x Width x Height (mm)	Version			Water reservoir
		Galvanised sheet interior	Internal polyester planter	Removable internal polyester planter	
 City	800 x 800 x 750	201260	201510	201520	201606
	1000 x 500 x 750	201255	201511	201521	201607
 Agora	800 x 800 x 750	201250	201512	201522	201606
	1000 x 500 x 750	201256	201513	201523	201607
 Sphere	800 x 800 x 750	201251	201514	201524	201606
	1000 x 500 x 750	201257	201515	201525	201607
 Forum	800 x 800 x 750	201264	201516	201526	201606
	1000 x 500 x 750	201259	201517	201527	201607
 <b>NEW</b> Stainless steel	800 x 800 x 750	201262	201518	201528	201606
	1000 x 500 x 750	201254	201519	201529	201607

Optional lifting rings **201291**



COMFORT

CLEANLINESS

GREEN SPACES

INFORMATION DISPLAY

BICYCLE STANDS & SHELTERS

STREET FURNITURE



1

## VENICE PLANTERS

A planter with a contemporary design to give a highly distinctive and modern identity to green spaces.

### Structure

- > Steel structure.
- > Plasma cut cladding in 2 to 4 mm galvanised sheet steel.
- > Available in 3 versions:
  - Interior in galvanised steel sheet
  - Internal polyester resin planter
  - Removable internal polyester resin planter with inserts.
- > Screw jacks at base of posts for level adjustment in case of an uneven surface.

### Finish & assembly

- > Finish: galvanised then painted available in our RAL colours.
- > Product is shipped assembled.

### Options

- > Water reservoir in geotextile (incompatible with galvanised interior version).
- > Lifting rings for use with the inserts in the internal removable polyester resin planter.

Length x Width x Height (mm)	Version			Water reservoir
	Galvanised sheet interior	Internal polyester planter	Removable internal polyester planter	
800 x 800 x 600	201270	201190	201191	201235
1000 x 1000 x 800	201271	201192	201193	201236
1200 x 1200 x 900	201269	201194	201195	201237
Optional lifting rings			201291	



internal polyester resin planter with inserts



201190



201192



**2 / 3**

**SILAOS® PLANTERS**

The spirit of SilaosR design in a steel planter to harmonise the development of your green spaces.

**2 / All steel**

**Structure**

- > Steel structure.
- > Plasma cut cladding in 2 to 4 mm galvanised sheet steel.
- > Available in 3 versions:
  - Interior in galvanised steel sheet.
  - Internal polyester resin planter.
  - Removable internal polyester resin planter with inserts.
- > Screw jacks at base of posts for level adjustment in case of an uneven surface.

**Finish & assembly**

- > Finish: galvanised then painted available in our RAL colours.
- > Product is shipped assembled.

**Options**

- > Water reservoir in geotextile (incompatible with galvanised interior version).
- > Lifting rings for use with the inserts in the internal removable polyester resin planter.

Length x Width x Height (mm)	Version			Water reservoir
	Galvanised sheet interior	Internal polyester planter	Removable internal polyester planter	
800 x 800 x 600	201272	201500	201501	201235
1000 x 1000 x 800	201273	201502	201503	201236
1200 x 1200 x 900	201240	201504	201505	201237

Optional lifting rings	201291
------------------------	--------

**3 / Wood & steel**

> External cladding in PEFC certified French oak, depth 22 mm, finished in mahogany or light oak water based colour stain preserver

Length x Width x Height (mm)	Version			Water reservoir
	Galvanised sheet interior	Internal polyester planter	Removable internal polyester planter	
800 x 800 x 600	201570	201571	201572	201235
1000 x 1000 x 800	201574	201575	201576	201236
1200 x 1200 x 900	201577	201578	201579	201237

Optional lifting rings	201291
------------------------	--------



**GALVANISED**



COMFORT

CLEANLINESS

GREEN SPACES

INFORMATION DISPLAY

BICYCLE STANDS & SHELTERS

STREET FURNITURE

1

## BREST PLANTERS

A 100% wooden planter of resolutely classical design. With a decorative Sphere top cap and in many dimensions, it offers you a thousand ways to liven up your landscaped areas.

### Structure

- > Frame in 93 x 93 mm and 80 x 49 mm made in FSC certified hard wood.
- > Cladding panels in 22 mm FSC certified hard wood.
- > Sphere wooden top cap.
- > Available in 3 versions:
  - Interior in galvanised steel sheet
  - Internal polyester resin planter
  - Removable internal polyester resin planter with inserts.
- > Screw jacks at base of posts for level adjustment in case of an uneven surface.

### Finish

- > Wood is preserved and protected by three coats of mahogany coloured water based stain preserver or three coats of microspores lacquer in our RAL colours.
- > Product is shipped assembled.

### Options

- > Water reservoir in geotextile (incompatible with galvanised interior version).
- > Lifting rings for use with the inserts in the internal removable polyester resin planter.

	Version	Galvanised sheet interior	Internal polyester planter	Removable internal polyester planter	Water reservoir
Stained Finish	Length x Width x Height (mm)				
	850 x 850 x 800	201282	201376	201380	201617
	1050 x 1050 x 1050	201284	201165	201388	201618
	1200 x 850 x 800	201404	201408	201412	201620
	1200 x 1200 x 1000	201286	201167	201420	201621
	2000 x 1050 x 1000	201424	201428	201432	201622
Lacquered Finish	850 x 850 x 800	201373	201377	201381	201617
	1050 x 1050 x 1050	201383	201385	201389	201618
	1200 x 850 x 800	201405	201409	201413	201620
	1200 x 1200 x 1000	201415	201417	201421	201621
	2000 x 1050 x 1000	201425	201429	201433	201622

Optional lifting rings

201291



201385



201421



201165



2

**OLBIA PLANTERS**

At home in hotel grounds or pedestrian streets, the Olbia fits perfectly in contemporary and classic environments. Round or square in shape, Olbia planters are aesthetic and robust.

**Structure**

- > Galvanised steel structure.
- > Available in 3 versions:
  - Interior in galvanised steel sheet
  - Internal polyester resin planter
  - Removable internal polyester resin planter with inserts.
- > External cladding in 2 mm galvanised sheet steel for the 800 x 800 and 1000 x 1000 mm, and 2.5 mm galvanised sheet for 1200 x 1200 mm.

**Finish & assembly**

- > Finish: galvanised then painted available in our RAL colours.
- > Product is shipped assembled.

**Options**

- > Water reservoir in geotextile (incompatible with galvanised interior version).
- > Lifting rings for use with the inserts in the internal removable polyester resin planter.

Length x Width x Height (mm)	Version			Water reservoir	Angled planter bench
	Galvanised sheet interior	Internal polyester planter	Removable internal polyester planter		
Olbia planters round					
Ø 950 x H. 700	201565	201566	201567	201238	-
Olbia planters square					
800 x 800 x 600	201275	201540	201543	201235	209190
1000 x 1000 x 800	201288	201541	201544	201236	209191
1200 x 1200 x 900	201289	201542	201545	201237	209192
Optional lifting rings			201291		



201565



COMFORT

CLEANLINESS

GREEN SPACES

INFORMATION DISPLAY

BICYCLE STANDS & SHELTERS

STREET FURNITURE

1

## SARLAT PLANTERS

The perfect combination of two materials brings the refinement green spaces deserve.

### Structure

- > Steel structure.
- > Cladding panels in 22 mm PEFC certified French oak.
- > Available in 3 versions:
  - Interior in galvanised steel sheet
  - Internal polyester resin planter
  - Removable internal polyester resin planter with inserts.
- > Screw jacks at base of posts for level adjustment in case of an uneven surface.

### Finish

- > Steel painted with zinc primer and finished in our RAL colours.
- > Wood is preserved and protected by mahogany or light oak coloured water based stain preserver.
- > Product is shipped assembled.

### Options

- > Water reservoir in geotextile (incompatible with galvanised interior version).
- > Lifting rings for use with the inserts in the internal removable polyester resin planter.

Length x Width x Height (mm)	Version			Water reservoir
	Galvanised sheet interior	Internal polyester planter	Removable internal polyester planter	
650 x 650 x 700	201276	201170	201174	201600
900 x 900 x 800	201277	201171	201175	201601
1050 x 1050 x 1050	201278	201172	201176	201602
1250 x 1250 x 1150	201279	201173	201177	201603
Optional lifting rings			201291	



201173



2

**PORTO PLANTERS**

Porto planters are discreet and modular, adding value to flowers and shrubs they hold. Many sizes are available allowing decorative combinations.

**Structure**

- > Galvanised steel structure.
- > Cladding panels in 22 mm FSC certified hard wood.
- > Available in 3 versions:
  - Interior in galvanised steel sheet
  - Internal polyester resin planter
  - Removable internal polyester resin planter with inserts.
- > Screw jacks at base of posts for level adjustment in case of an uneven surface.

**Finish**

- > Wood is preserved and protected by mahogany coloured water based stain preserver.
- > Product is shipped assembled.

**Options**

- > Water reservoir in geotextile (incompatible with galvanised interior version).
- > Lifting rings for use with the inserts in the internal removable polyester resin planter.

Length x Width x Height (mm)	Version			Water reservoir
	Galvanised sheet interior	Internal polyester planter	Removable internal polyester planter	
■ 500 x 500 x 400	201452	201296	201453	201626
■ 600 x 600 x 500	201454	201455	201456	201627
■ 950 x 420 x 400	201460	201297	201461	201629
■ 950 x 950 x 600	201462	201463	201464	201630
■ 1100 x 600 x 550	201465	201466	201467	201631
■ 1200 x 1200 x 600	201468	201469	201470	201632
● Ø 700 x 550	201474	201298	201475	201633
● Ø 1100 x 550	201476	201477	201478	201634
Optional lifting rings			201291	



Removable internal polyester resin planter with inserts & lifting rings.



201462

**1 / 2**

**Ø 250 mm TREE GUARD**

Comprised of 3 hoops, flower-shaped at top, held together by 3 circular steel flat cross members, attached by 3 locking nuts (supplied).

- > Rests on the ground.
- > Finish: galvanised or galvanised then painted available in our RAL colours.

	Galvanised	Painted
<b>1</b> Guard Ø 250 x H 1500 mm	<b>201124</b>	<b>201134</b>
<b>2</b> Guard Ø 250 x H 1870 mm	<b>201121</b>	<b>201131</b>



**3 / 4**

**Ø 450 mm TREE GUARD**

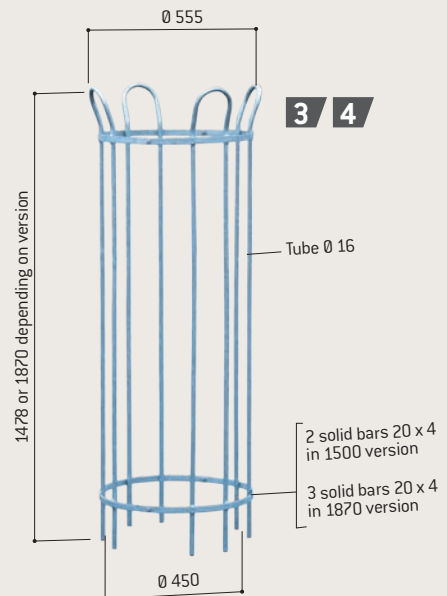
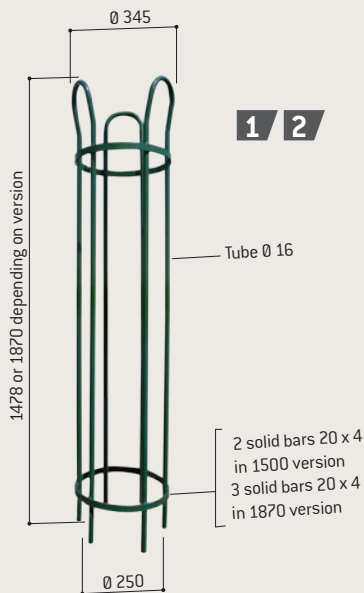
Comprised of two parts, each having 2 hoops, flower shaped at top, held together by steel flat cross members, attached by locking nuts (supplied).

- > Rests on the ground.
- > Finish: galvanised or galvanised then painted available in our RAL colours.

	Galvanised	Painted
<b>3</b> Guard Ø 450 x H 1500 mm	<b>201125</b>	<b>201135</b>
<b>4</b> Guard Ø 450 x H 1870 mm	<b>201122</b>	<b>201132</b>



**GALVANISED**





5

### SILAOS® TREE GRILLE

**Choose a galvanised steel tree grille: they are much less fragile and more robust than cast iron tree grilles.**

The angular design of these tree grilles. Round or rectangular tree grilles cut from 10 mm solid sheet steel. Supplied as two pieces to be fastened together around the tree (in four pieces for the 1500 and 1500 x 1500 mm).

- > Rests directly on the ground.
- > Finish: galvanised or galvanised then painted available in our RAL colours.
- > Recommended optional galvanised sub fitting support frame in four parts with fixing plates for the grilles to rest upon.

	Galvanised	Painted	Fitting support
<b>Round tree grilles</b>			
Ø 1000 mm	201205	201215	201230
Ø 1300 mm	201206	201216	201231
Ø 1500 mm	201211	201221	201234
<b>Square tree grilles</b>			
1000 x 1000 mm	201207	201217	201232
1300 x 1300 mm	201208	201218	201233
1500 x 1500 mm	201213	201223	201239

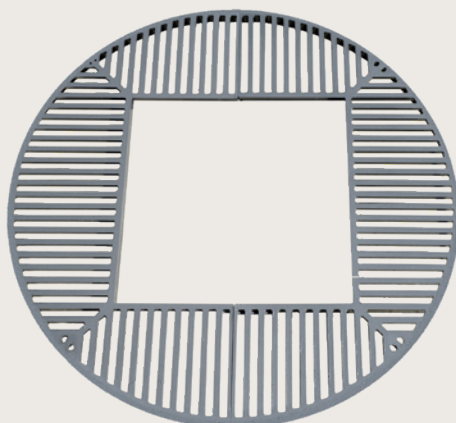
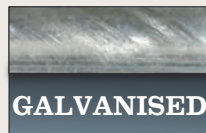


6

### VENICE TREE GRILLE

A contemporary design of tree grille, strong and attractive.  
> Same characteristics as Silaos® tree grille.

	Galvanised	Painted	Fitting support
<b>Round tree grilles</b>			
Ø 1000 mm	201081	201181	201230
Ø 1300 mm	201082	201182	201231
Ø 1500 mm	201085	201185	201234
<b>Square tree grilles</b>			
1000 x 1000 mm	201083	201183	201232
1300 x 1300 mm	201084	201184	201233
1500 x 1500 mm	201086	201186	201239



## S U M M A R Y

- 57** Vega lockable display case & Advertising light boxes
- 58** Town & Country poster cases - Initial unit
- 60** Town & Country Poster cases - Extension units
- 62** Wood framed aluminium park notice board
- 63** Wooden information panel & display lectern, steel information display lectern





**1**

**VEGA LOCKABLE DISPLAY CASE**

Non-illuminated single or double-sided lockable poster cases manufactured in 150 mm aluminium profile featuring cast aluminium corners.

- > Top hinged door on gas struts for safety and ease of use, replaceable in the event of major vandalism without having to remove the poster display case. The glazing is a 4 mm tempered shatter-proof glass. Warp proof integrated hinges. 2 tamper-proof locks (2 keys). Watertight elastomer seal.
- > Galvanised backboard, lacquered in white.
- > Posts are of sturdy Ø 114 mm steel tube with a welded domed top cap.

**Finish**

- > Notice board: aluminium frame in an anodised finish or painted in RAL 3004, 6005, 9005 or 5010.
- > Posts: painted in RAL 9006, 3004, 6005, 9005 or 5010.

**Installation**

- > To be concreted directly into the ground.

Display sizes	Single sided	Double sided
H 1200 x 800 mm	<b>570000</b>	<b>570100</b>
H 1200 x 1600 mm	<b>571000</b>	<b>571100</b>
H 1600 x 1200 mm	<b>572000</b>	<b>572100</b>
H 1760 x 1210 mm	<b>573000</b>	<b>573100</b>



**2 3**

**ADVERTISING LIGHT BOXES**

Unlike the poster display case, the light box has an inner wall on which the poster is mounted, fixed at 20 mm from the glazing. The display size is H 1710 x 1160 mm.

**Technical specification**

Double-sided, 150 mm aluminium profile frame. Cast aluminium corners. Raising door on gas struts replaceable without disassembling the light box: "RGC" system, Rapid Glass Change. The glazing is a 4 mm tempered shatter-proof glass, integrated hinges. 2 "safety" tamper-proof locks with 2 keys. Elastomer seal.

- > Painted in our RAL colours (see page 4).
- > Light diffusing panel is lowered to head height for easy & safe changing of the poster.
- > Light boxes with lighting (back lit): the poster is attached to 3 mm white, light diffusing polycarbonate panel lit by EU approved high-intensity fluorescent tubes of 58 watt output each, (factory fitted).
- > To be concreted directly into the ground.

**2 Light box on central base:**

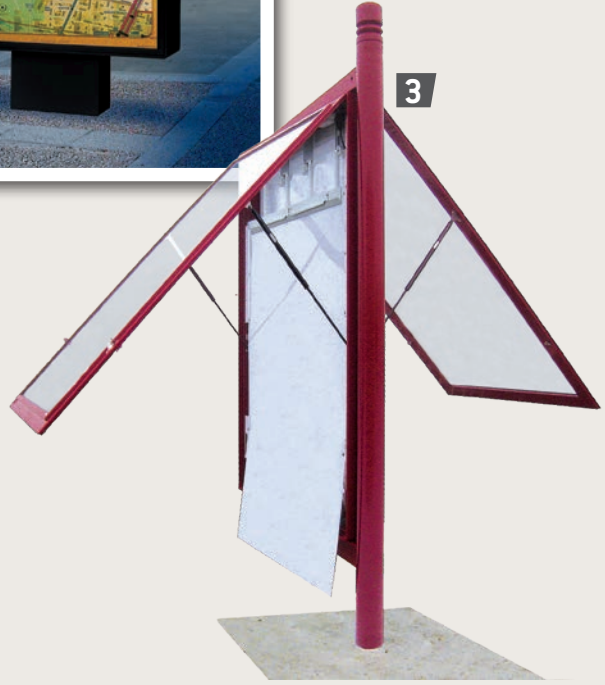
- > Base dimensions: Height 400 x Width 600 x Depth 80 mm.

**code 508300**

**3 Flag style light box:**

- > Ø 114 mm steel post.
- > Choice of 5 top caps.

City	Agora	Sphere	Forum	Stainless steel
<b>508400</b>	<b>508401</b>	<b>508402</b>	<b>508405</b>	<b>528415</b>



COMFORT

CLEANLINESS

GREEN SPACES

INFORMATION DISPLAY

BICYCLE STANDS & SHELTERS

STREET FURNITURE

## TOWN & COUNTRY POSTER CASES INITIAL UNIT

Town and Country poster cases are elegant, waterproof, vandal resistant and lockable. Ideal for displaying local information.

### Technical specification

- > Choice of five top caps: City, Agora, Sphere, Forum or Stainless steel.
- > Cast aluminium clamps allowing extension and ensembles at 90°.
- > Title board option: attached to the posts by two clips, it raises your message up to 200 mm. Depth: 75 mm. Boards supplied blank. Optional text (on request) - contact us.
- > Decorative base covers included.
- > To be concreted directly into the ground.
- > Ø 76 mm steel posts.
- > Height above ground 2500 mm or height above ground 2700 mm if with title board.
- > Finish: single colour or double colour (attachment collars, base covers and top caps contrast colour of the poster case and posts).

### Poster cases

Single-sided or double-sided. Frame made of 75 mm aluminium profile featuring cast aluminium corners.

- > Doors side hinged or top hinged on gas struts for safety and ease of use, replaceable in the event of major vandalism without having to remove the poster display case.
- > 4 mm thick plexichoc glazing (security glass for versions in H1600 x 1200 mm).
- > Warp-proof integrated hinges. 2 tamper-proof locks (2 keys). Watertight elastomer seal.
- > Galvanised steel backboard, lacquered on the interior.

Display dimensions			
H 800 x 1200 Raising door on gas struts	H 1200 x 800 Hinged door	H 1200 x 1600 Raising door on gas struts	H 1600 x 1200 Raising door on gas struts

Without title board

H 800 x 1200 mm



**SINGLE SIDED - H 800 X 1200**

City	Agora	Sphere	Forum	Stainless steel
520100	520101	520102	520104	520109

**DOUBLE SIDED - H 800 X 1200**

City	Agora	Sphere	Forum	Stainless steel
580100	580101	580102	580104	580109

H 1200 x 800 mm



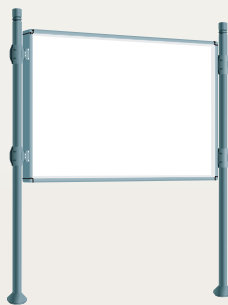
**SINGLE SIDED - H 1200 X 800**

City	Agora	Sphere	Forum	Stainless steel
530100	530101	530102	530104	530109

**DOUBLE SIDED - H 1200 X 800**

City	Agora	Sphere	Forum	Stainless steel
540100	540101	540102	540104	540109

H 1200 x 1600 mm



**SINGLE SIDED - H 1200 X 1600**

City	Agora	Sphere	Forum	Stainless steel
531100	531101	531102	531104	531109

**DOUBLE SIDED - H 1200 X 1600**

City	Agora	Sphere	Forum	Stainless steel
550100	550101	550102	550104	550109

H 1600 x 1200 mm



**SINGLE SIDED - H 1600 X 1200**

City	Agora	Sphere	Forum	Stainless steel
532100	532101	532102	532104	532109



**DOUBLE SIDED - H 1600 X 1200**

City	Agora	Sphere	Forum	Stainless steel
560100	560101	560102	560104	560109



With title board



**SINGLE SIDED - H 800 X 1200**

City	Agora	Sphere	Forum	Stainless steel
590010	590011	590012	590014	590019

**DOUBLE SIDED - H 800 X 1200**

City	Agora	Sphere	Forum	Stainless steel
590410	590411	590412	590414	590419

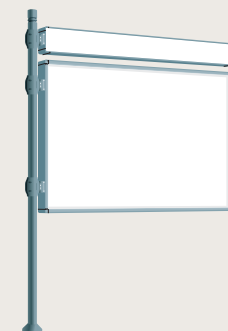


**SINGLE SIDED - H 1200 X 800**

City	Agora	Sphere	Forum	Stainless steel
590110	590111	590112	590114	590119

**DOUBLE SIDED - H 1200 X 800**

City	Agora	Sphere	Forum	Stainless steel
590510	590511	590512	590514	590519



**SINGLE SIDED - H 1200 X 1600**

City	Agora	Sphere	Forum	Stainless steel
590210	590211	590212	590214	590219

**DOUBLE SIDED - H 1200 X 1600**

City	Agora	Sphere	Forum	Stainless steel
590610	590611	590612	590614	590619



**SINGLE SIDED - H 1600 X 1200**

City	Agora	Sphere	Forum	Stainless steel
590310	590311	590312	590314	590319



**DOUBLE SIDED - H 1600 X 1200**

City	Agora	Sphere	Forum	Stainless steel
590710	590711	590712	590714	590719







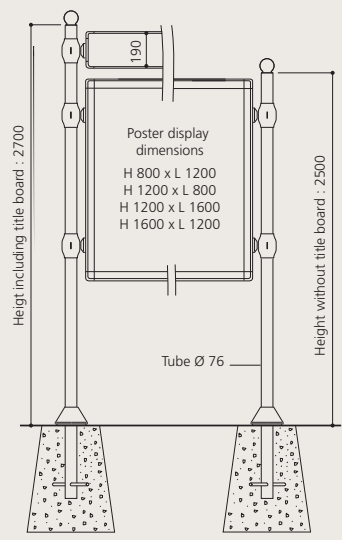
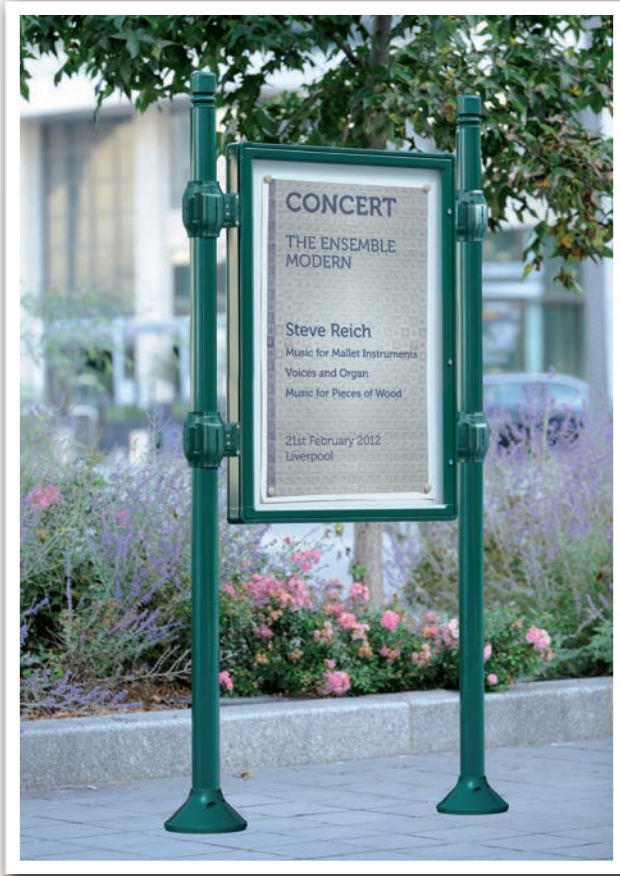
Model shown: Town & Country poster case with title board and Sphere top cap - code 590612



Model shown: Town & Country poster case with stainless steel top cap Code 530109



Model shown: Town & Country poster case with City top cap - code 532110



Model shown: Town & Country poster case with City top cap code 530100

COMFORT

CLEANLINESS

GREEN SPACES

INFORMATION DISPLAY

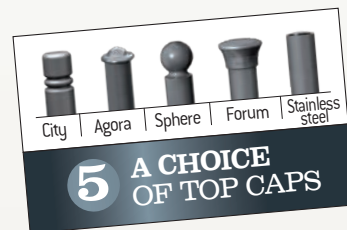
BICYCLE STANDS & SHELTERS

STREET FURNITURE

## TOWN & COUNTRY POSTER CASES - EXTENSION UNITS

Used to create combinations of poster cases and panels in a straight line or at an angle.

- > Unit consists of one Ø 76 mm steel post with a decorative base cover, a top cap (City, Agora, Sphere, Forum or Stainless steel), one poster case, two attachment collars (or 3 if title board to be attached) and 4 clamps (or 6 with title board).
- > A poster case extension unit can also be linked to a poster panel initial unit (see following pages).



### H 800 x 1200 mm



**SINGLE SIDED - H 800 X 1200**

City	Agora	Sphere	Forum	Stainless steel
520105	520106	520107	520108	520110

**DOUBLE SIDED - H 800 X 1200**

City	Agora	Sphere	Forum	Stainless steel
580105	580106	580107	580108	520210

### H 1200 x 800 mm



**SINGLE SIDED - H 1200 X 800**

City	Agora	Sphere	Forum	Stainless steel
530105	530106	530107	530108	520118

**DOUBLE SIDED - H 1200 X 800**

City	Agora	Sphere	Forum	Stainless steel
540105	540106	540107	540108	520211

### H 1200 x 1600 mm



**SINGLE SIDED - H 1200 X 1600**

City	Agora	Sphere	Forum	Stainless steel
531105	531106	531107	531108	520119

**DOUBLE SIDED - H 1200 X 1600**

City	Agora	Sphere	Forum	Stainless steel
550105	550106	550107	550108	520212

### H 1600 x 1200 mm



**SINGLE SIDED - H 1600 X 1200**

City	Agora	Sphere	Forum	Stainless steel
532105	532106	532107	532108	520200

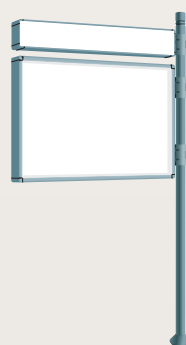
**DOUBLE SIDED - H 1600 X 1200**

City	Agora	Sphere	Forum	Stainless steel
560105	560106	560107	560108	520213



Without title board

With title board

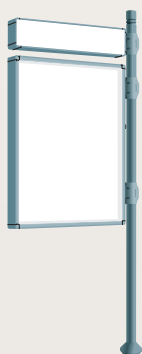


**SINGLE SIDED - H 800 X 1200**

City	Agora	Sphere	Forum	Stainless steel
590015	590016	590017	590018	520220

**DOUBLE SIDED - H 800 X 1200**

City	Agora	Sphere	Forum	Stainless steel
590415	590416	590417	590418	520230

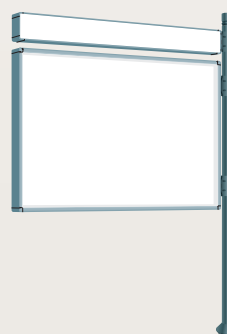


**SINGLE SIDED - H 1200 X 800**

City	Agora	Sphere	Forum	Stainless steel
590115	590116	590117	590118	520221

**DOUBLE SIDED - H 1200 X 800**

City	Agora	Sphere	Forum	Stainless steel
590515	590516	590517	590518	520231

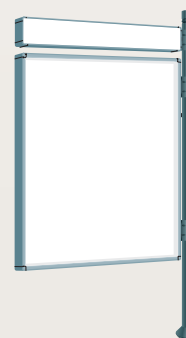


**SINGLE SIDED - H 1200 X 1600**

City	Agora	Sphere	Forum	Stainless steel
590215	590216	590217	590218	520222

**DOUBLE SIDED - H 1200 X 1600**

City	Agora	Sphere	Forum	Stainless steel
590615	590616	590617	590618	520232



**SINGLE SIDED - H 1600 X 1200**

City	Agora	Sphere	Forum	Stainless steel
590315	590316	590317	590318	520223

**DOUBLE SIDED - H 1600 X 1200**

City	Agora	Sphere	Forum	Stainless steel
590715	590716	590717	590718	520233



To ensure their perfect stability, extensions H 1200 x 1600 mm and H 1600 x 1200 mm with title board cannot be supplied alone. They are only supplied with an initial unit.





Model shown:  
Initial Town & Country poster case with title board and City top cap code 591190  
+ extension with title board code 590215



Model shown: Initial Town & Country poster case with City top cap code 530100  
+ extension code 530105



Model shown: Initial Town & Country double sided poster case with title board and Sphere top cap code 590612  
+ extension with title board code 590617

COMFORT

CLEANLINESS

GREEN SPACES

INFORMATION DISPLAY

BICYCLE STANDS & SHELTERS

STREET FURNITURE



1

## WOOD FRAMED ALUMINIUM PARK NOTICE BOARD

A high quality outdoor notice board, ideal for parks and green spaces.

### The Notice board

- > Frames in 30, 58, or 75 mm aluminium profile.
- > Lockable & waterproof.
- > Vandal resistant 4 mm plexichoc glazing.
- > Single or double sided depending on size.
- > Galvanised steel backboard, painted white.
- > Anodised finish.

### The frame

- > Height above ground 2000 mm - 2300 mm.
- > Posts in FSC exotic hard wood 60 x 60 or 93 x 93 mm.
- > Decorative roof in Compact HPL.
- > Finished with a water based stain preserver in Mahogany or light oak colour.
- > Fixed on galvanised base plates or galvanised and painted in RAL 8012 (fixing rods supplied - to be concreted in).

Ext. Dim.	Frame depth	Base plates RAL 8012	Base plates galva
Single sided notice board H 660 x 905 x 30 mm on 60 x 60 mm wooden posts H 2500 mm	30 mm	407510	407500
Single sided notice board H 1080 x 1330 x 58 mm on 60 x 60 mm wooden posts H 2500 mm	58 mm	407511	407501
Single sided notice board H 1000 x 2010 x 75 mm on 93 x 93 mm wooden posts H 2500 mm	75 mm	407512	407502
Double sided notice board on H 1000 x 2010 x 75 mm on 93 x 93 mm wooden posts H 2500 mm	75 mm	407513	407503





2

## WOODEN INFORMATION PANEL

A simple and elegant method of permanently displaying information.

- > Height above ground: 1900 mm.
- > Signage surface: 400 x 400 or 600 x 600 mm.
- > Blank signs in 13 mm compact HPL
- > Support post in FSC exotic hardwood 93 x 93 mm.
- > Finished with a water based stain preserver in Mahogany or light oak colour.
- > Fixed on galvanised base plates (fixing rods supplied - to be concreted in).
- > Signage not included.

Display dims. 400 x 400 mm	<b>527150</b>
Display dims. 600 x 600 mm	<b>527151</b>

3

## STEEL INFORMATION DISPLAY LECTERN

An elegant way of displaying tourist information using a folded 4 mm steel sheet, its height ensures adults, children & wheelchair users can easily view the sign.

- > Height above ground: 800 mm.
- > Signage surface: 500 x 450 mm.
- > Made of 4 mm sheet steel.
- > No sharp edges or angles.
- > Zinc primed and finished in our RAL colours.
- > Fixed by the base.
- > Signage not included.

Display dims. 500 x 450 mm	<b>527080</b>
----------------------------	---------------

4

## WOODEN INFORMATION DISPLAY LECTERN

Available in two sizes.

- > Height above ground: 800 mm.
- > Signage surface: 300 x 300 or 400 x 600 mm.
- > Blank sign in 13 mm compact HPL.
- > Support post in FSC exotic hardwood 93 x 93 mm.
- > Finished with a water based stain preserver in mahogany or light oak colour.
- > Fixed on galvanised base plates (fixing rods supplied - to be concreted in).
- > Signage not included.

Display dims. 300 x 300 mm	<b>527141</b>
Display dims. 400 x 600 mm	<b>527142</b>





# ❖ BICYCLE STANDS & SHELTERS

## S U M M A R Y

- 65** Lisbon & Venice bicycle stands
- 66** Trombone bicycle
- 67** Sheffield style bike stand
- 68** Decorative motorcycle stands & Classic bicycle stand
- 69** Duo & Province bicycle stand
- 70** Modular decorative bicycle racks
- 72** Conviviale® bicycle stands
- 73** Infinite modular & 16 space bicycle racks
- 74** Fixed or pivoting wall mounted bicycle rack, Eco 5-space cycle stand & 6 space high-low bicycle rack
- 75** Motorcycle parking security rail & scooter rack
- 76** Economy aluminium 5 space bicycle shelter
- 77** Moonshape shelter & Conviviale® bicycle shelter
- 78** Decorative aluminium shelter
- 79** Venice shelter
- 80** Voute-Multi-functional shelter system



1

### LISBON BICYCLE STAND

A compact bicycle stand allowing simultaneous fixing of the frame and the wheel. A welcome addition to the PROCITY® Lisbon railing.

- > Steel tube 80 x 40 mm and 35 x 35 mm.
- > Height above ground: 870 mm.
- > Length: 750 mm.
- > Galvanised and painted finish in our RAL colours.
- > To be concreted directly into the ground or on base plates.

	Galvanised	Painted
Concrete fix	<b>207540</b>	<b>207541</b>
On base plates	<b>297540</b>	<b>297541</b>



2

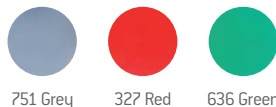
### VENICE BICYCLE STAND

Stand alone or in perfect harmony with the Venice bicycle shelter. This design of the decorative panel contributes to its modern look.

- > 50 x 30 mm steel tube.
- > Height above ground: 850 mm.
- > Width: 545 mm.
- > Available with or without decorative panel (made of polycarbonate plasma cut & tinted in a choice of 751 grey, 327 red or 636 green).
- > Finish: galvanised or galvanised & painted in our RAL colours.
- > To be concreted directly into the ground or on a base plate.

	Concrete fix	On base plate
Venice painted cycle stand <b>with</b> decorative panel	<b>207382</b>	<b>297382</b>
Venice painted cycle stand <b>without</b> decorative panel	<b>207383</b>	<b>297383</b>
Venice galva cycle stand <b>without</b> decorative panel	<b>207381</b>	<b>297381</b>

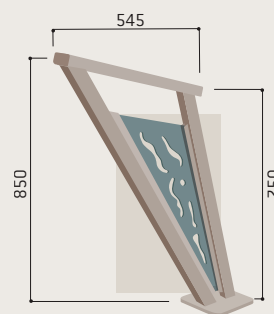
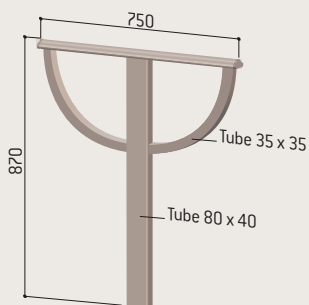
Colour options for decorative panels



751 Grey    327 Red    636 Green



**GALVANISED**



1

**Ø 50 mm BIKE STAND**

An economic and discreet stand for all bicycles.

- > Ø 50 mm steel tube.
- > Height above ground: 870 mm.
- > Width 300 mm.
- > Galvanised or galvanised & painted and finished in our standard RAL colours.
- > To be concreted directly into the ground.

Galvanised	<b>201056</b>
Painted	<b>201057</b>



2

**TROMBONE BICYCLE STANDS**

A very simple, popular, economic & functional bicycle stand.

**Standard version**

- > Ø 60 mm steel tube.
- > Height above ground 1000 mm.
- > Width 625 mm.
- > Galvanised or Galvanised and painted finish in our RAL colours.
- > To be concreted directly into the ground.

Galvanised	<b>201050</b>
Painted	<b>201051</b>

**Version with signage**

- > Same features as the standard version with plasma cut 3 mm sheet steel signage.

	Bicycle	Motorcycle
Galvanised	<b>201052</b>	<b>201054</b>
Painted	<b>201053</b>	<b>201055</b>



1



2





3

### SHEFFIELD STYLE BIKE STAND

A traditional method of bicycle parking.

- > Ø 50 mm steel tube
- > Length 700mm
- > Height above ground: 850 mm
- > Galvanised or galvanised & painted and finished in our standard RAL colours
- > To be concreted directly into the ground

Galvanised	204009
Painted	204010

4

### REINFORCED SHEFFIELD STYLE BIKE STAND

The cross bar provides a second attachment point for locks.

- > Ø 50 mm steel tube.
- > Length 700 mm.
- > Height above ground: 850 mm.
- > Galvanised or galvanised & painted and finished in our standard RAL colours.
- > To be concreted directly into the ground.

Galvanised	204011
Painted	204012



COMFORT

CLEANLINESS

GREEN SPACES

INFORMATION DISPLAY

BICYCLE STANDS & SHELTERS

STREET FURNITURE

1

## DECORATIVE MOTORCYCLE STANDS

These stands offer the perfect parking facility for bicycles, scooters, and motorbikes.

Available in two versions:

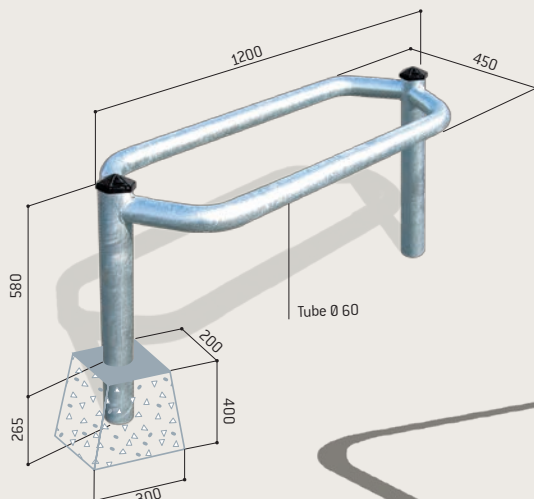
- Galvanised and painted finish in our RAL colours.  
Choice of 4 top caps: City, Agora, Sphere, and Forum.
- Galvanised finish.  
Mercure black cast aluminium top cap with galvanised steel hoop.

- > To be concreted directly into the ground.
- > Optional decorative base covers.

	City	Agora	Sphere	Forum	Stainless steel	Mercure
Codes	207512	207510	207511	207514	207515	207500
Optional decorative base cover						206108



GALVANISED



1 207500

2

## CLASSIC BICYCLE STANDS

A classic bicycle stand, its optional signage allows the stands to be easily located.

### Standard version

- Galvanised and painted finish in our RAL colours.  
Choice of 4 top caps: City, Agora, Sphere, and Forum.
- Galvanised finish.  
Mercure black cast aluminium top cap with galvanised steel hoop.
- > Ø 76 and Ø 50 mm steel tubes.
- > Total height (excluding top cap): 1100 mm, length 1200 mm.
- > To be concreted directly into the ground.
- > Optional decorative base cover.

### Version with signage

- > Same features as the standard version, with addition of a steel signage pole Ø 76 mm, painted with zinc primer, finished in our RAL colours.
- > Overall height 2900 mm.
- > Perfect to locate bicycle parking even when parked vehicles hide the stands from view.

	City	Agora	Sphere	Forum	Stainless steel	Mercure
Support arceau simple	207523	207521	207522	207525	207526	207520
Support arceau avec signalétique	207533	207531	207532	207535	207536	–
Option embase décorative						206108



GALVANISED



3

### DUO BICYCLE STAND

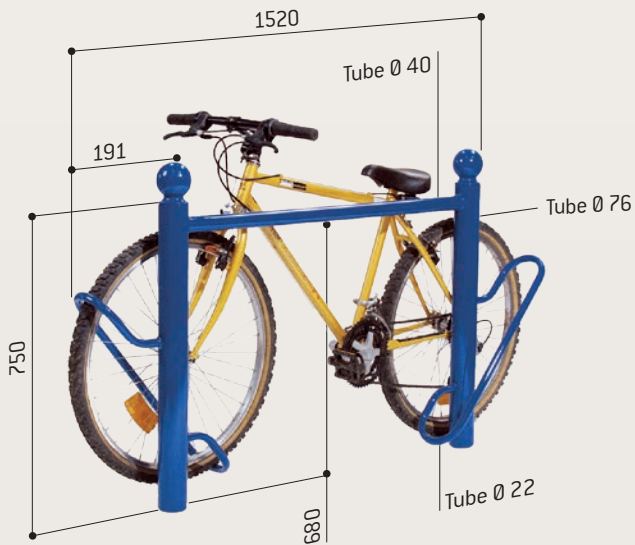
A stylish stand for two bicycles, holding the wheel firmly in place. The bicycle frame can be easily locked to the stand.

- > Choice of 4 top caps: City, Agora, Sphere, and Forum.
- > Galvanised and painted finish in our RAL colours.
- > To be concreted directly into the ground.

					
	City	Agora	Sphere	Forum	Stainless steel
Codes	207412	207413	207414	207416	207417



**GALVANISED**



4

### PROVINCE BICYCLE STAND

A decorative contemporary stand, helping to secure both large and small bicycles.

- > 5 different types of caps City, Agora, Sphere, Forum and Stainless Steel.
- > Height above ground: 1000 mm (above cap).
- > Width: 675 mm.
- > Galvanised or galvanised & painted and finished in our standard RAL colours.
- > To be concreted directly into the ground.

					
	City	Agora	Sphere	Forum	Stainless steel
Codes	207390	207391	207392	207393	207394



COMFORT

CLEANLINESS

GREEN SPACES

INFORMATION DISPLAY

BICYCLE STANDS & SHELTERS

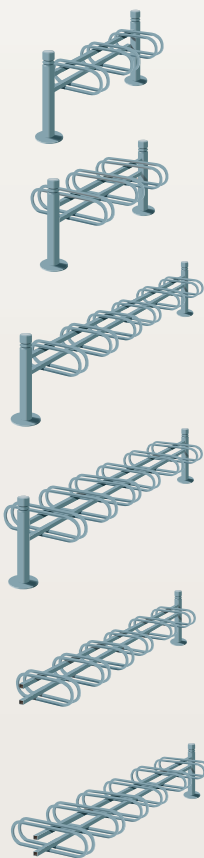
STREET FURNITURE

## MODULAR DECORATIVE BICYCLE RACKS

A superb system, decorative, functional and modular.

**1** to **6** Modular decorative bicycle racks

- > Choice of 5 top caps.
- > Single-sided or double-sided.
- > 6-space single-sided or double-sided extension modules.
- > Holds all bikes, including mountain bikes. Made of steel, posts  $\varnothing$  76 mm, hoop  $\varnothing$  22 mm. Space of 50mm between the hoops.
- > Galvanised and painted finish in our RAL colours, or galvanised finish with Mercure top cap.
- > Mounted on base plates.



### 1 3-SPACE SINGLE-SIDED RACK

City	Agora	Sphere	Forum	Stainless steel	Mercure
207365	207360	207361	207367	207363	207002

### 2 3-SPACE DOUBLE-SIDED RACK

City	Agora	Sphere	Forum	Stainless steel	Mercure
207355	207350	207351	207356	207368	207022

### 3 6-SPACE SINGLE-SIDED RACK

City	Agora	Sphere	Forum	Stainless steel	Mercure
207315	207310	207311	207316	207313	207003

### 4 6-SPACE DOUBLE-SIDED RACK

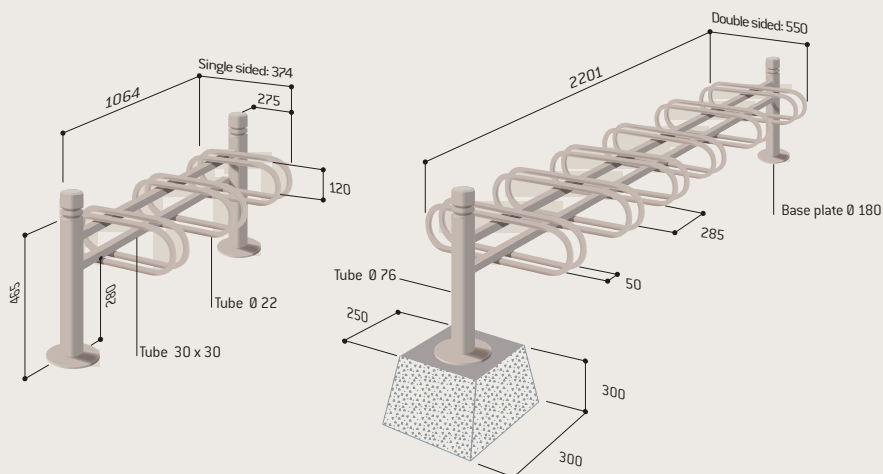
City	Agora	Sphere	Forum	Stainless steel	Mercure
207325	207320	207321	207326	207317	207023

### 5 EXTENSION MODULE 6-SPACE SINGLE-SIDED RACK

City	Agora	Sphere	Forum	Stainless steel	Mercure
207335	207330	207331	207336	207334	207004

### 6 EXTENSION MODULE 6-SPACE DOUBLE-SIDED RACK

City	Agora	Sphere	Forum	Stainless steel	Mercure
207345	207340	207341	207346	207343	207064





1



2



3



4



3 5



4 6



COMFORT

CLEANLINESS

GREEN SPACES

INFORMATION DISPLAY

BICYCLE STANDS & SHELTERS

STREET FURNITURE

1

## CONVIVIALE® MODULAR BICYCLE RACKS

Thanks to the slanting parallel arrangement, the rack encroaches 30% less on the pedestrian space. In addition, the handlebars no longer knock against each other. You may also select the arrangement which is most suitable for your situation: single-sided, double-sided, the orientation of the racks & limitless extension modules.

- > Initial module consisting of three single-sided racks (length 1650 mm, height 575 mm).
- > Possibility of adding 3 further stands with 3 space single-sided extension modules (length 1580 mm).
- > Modules can be made double-sided by the addition of hoops.
- > To accommodate motorcycles/mopeds, the hoops may be removed from the module.
- > 70 x 70 and 40 x 40 mm steel tubing.
- > Steel tubing hoops  $\varnothing$  22 mm for all types of bicycles.
- > *Courbe de Diamant*® ("diamond curve") cast aluminium top cap.
- > Galvanised and painted finish in our RAL colours.
- > Installation on base plates (150 x 150 mm).

Initial module + 3 hoops supplied	207385
Extension module + 3 hoops supplied	207386
Additional hoop (per unit)	207387

2

## CONVIVIALE® BICYCLE STANDS

More security on the street for bicycles (2 attachment points: frame and wheel).

- > 70 x 70 and 40 x 40 mm steel tubing.
- > *Courbe de Diamant*® ("diamond curve") cast aluminium top cap.
- > Galvanised and painted finish in our RAL colours.
- > Installation on base plates or to be concreted into the ground.

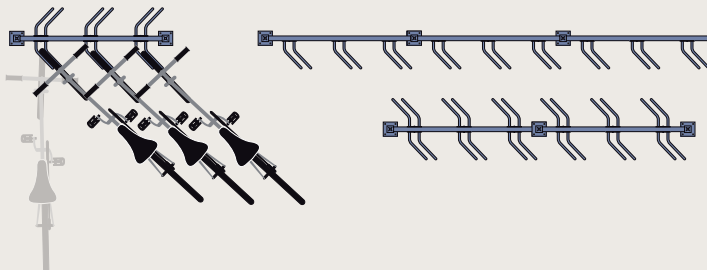
Concrete fix	207380
On base plates	297380



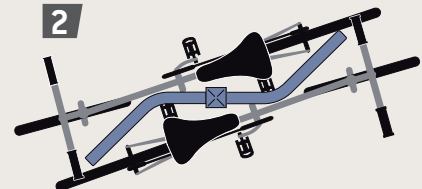
1



1



2





3

### INFINITE MODULAR BICYCLE RACK

A very efficient solution at an affordable price. Can be extended to accommodate requirements.

- > Structure made in 30 x 30 mm, stand Ø 16 mm steel tubes.
- > Space of 50 mm between the hoops to hold all bikes, including mountain bikes.
- > Free-standing or anchored to the ground, pre-drilled with Ø 13 mm holes (bolts not supplied).
- > Single 3-space module length 900 mm.
- > Additional 2-space modules can be added as required, length 838 mm.
- > Finish: galvanised.

<b>A</b> 5-space Infinite	204717
<b>B</b> Single 3-space module	204715
<b>C</b> 2-space extension module	204716

**A** 5-space Infinite



**B** Single 3-space module



**C** 2-space extension module



**GALVANISED**

4

### 16 SPACE BICYCLE RACK

A bicycle rack that accommodates 16 cycles: 2 rows of 8 bicycles facing each other.

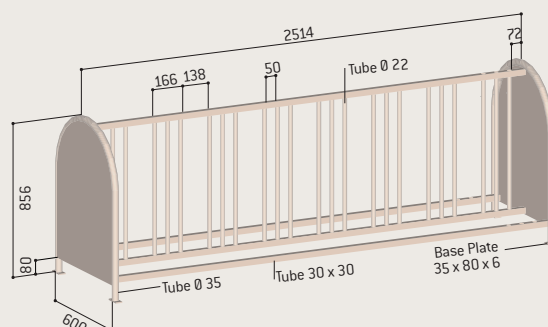
- > Galvanised steel, side panels painted green with bicycle motif in white.
- > Base plates with Ø 13 mm holes. Bolts not supplied.

16 Space bicycle rack      **204760**

4



3



COMFORT

CLEANLINESS

GREEN SPACES

INFORMATION DISPLAY

BICYCLE STANDS & SHELTERS

STREET FURNITURE

1

### FIXED OR PIVOTING WALL MOUNTED BICYCLE RACK

To fix directly to the wall by screws and plugs (not included). Maximum tyre width 50 mm to accommodate bicycles and mountain bikes.

- > Galvanised finish.
- > Optional: galvanised steel post with black plastic cap. For fitting up to 4 fixed wall mounted racks.
- > To be concreted directly into the ground.

Pivoting wall mounted rack	204730
Fixed wall mounted rack	204702
Post for bicycle rack	204733

2

### ECO 5-SPACE CYCLE STAND

Accommodates 5 bicycles. Usable on both sides and by all types of bicycles, including mountain bikes, and keeps strong hold of tyre.

- > Made of galvanised steel tubing.
- > Free standing or anchored to the ground, drilled with 13 diam holes on side irons.
- > Fixings not supplied.

Eco 5-space Stand	204701
-------------------	--------

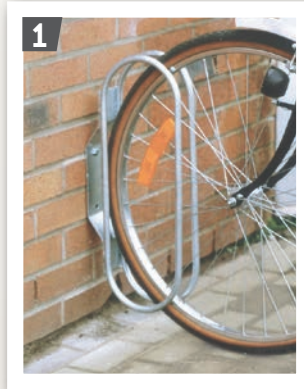
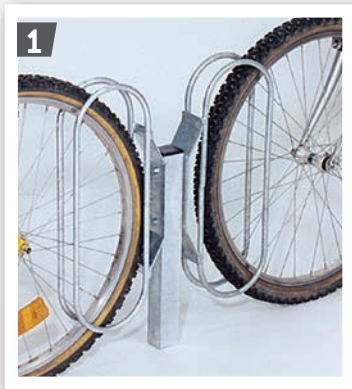
3

### 6 SPACE HIGH-LOW BICYCLE RACK

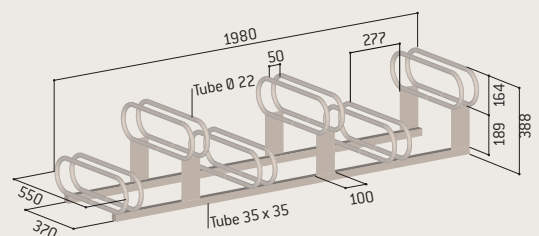
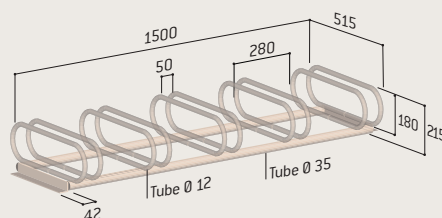
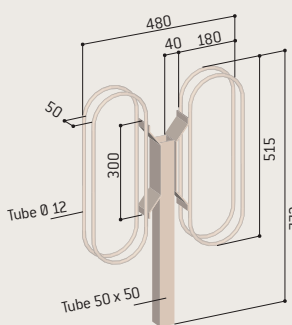
Galvanised or galvanised and painted finish in our RAL colours. Allows for optimum use of space, access from both sides to ensure handlebars don't tangle. Excellent wheel grip.

- > May be used free-standing or anchored to the ground, pre-drilled with  $\varnothing$  10 mm holes.
- > Bolts not supplied.

Galvanised 6 space high-low bicycle rack	204700
Painted 6 space high-low bicycle rack	204711



GALVANISED





4

### MOTORCYCLE PARKING SECURITY RAIL

- Compact, this rail is ideal for securing any two-wheeler. In two lengths, they can be adapted to any shelter.
- > 2 available lengths: 1200 and 1500 mm.
  - > Height above ground: 300 mm.
  - > Steel tube Ø 60 mm and flat iron with a thickness of 8 mm.
  - > Galvanised or galvanised & painted and finished in our standard RAL colours
  - > To be concreted directly into the ground.

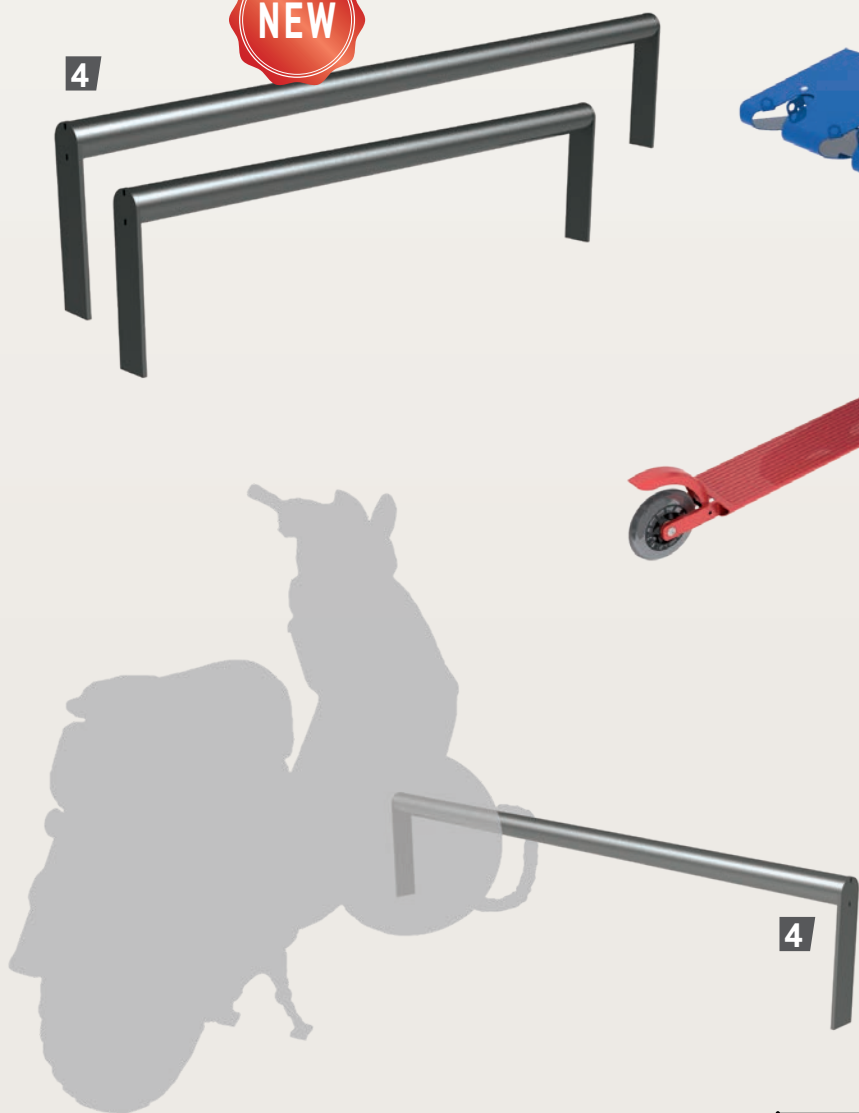
	Galvanised	Painted
Length 1200 mm	<b>204107</b>	<b>204108</b>
Length 1500 mm	<b>204104</b>	<b>204105</b>

5

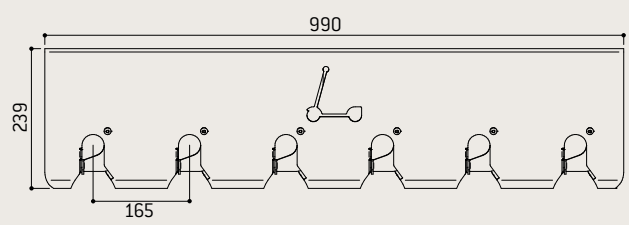
### SCOOTER RACK

- A simple and efficient wall mounted rack, specifically designed to hold and secure scooters.
- > 6 space scooter rack in galvanised steel.
  - > Height: 105 mm.
  - > Width: 990 mm.
  - > Depth: 240 mm.
  - > Exclusive system to block and hold the handlebars.
  - > Eyelets for padlocks.
  - > Wall mounted at 300mm above the ground (from the bottom of the rack).
  - > Wall mounting bolts not supplied.
  - > Galvanised and painted in our standard RAL colours.

Scooter rack	<b>204740</b>
--------------	---------------



Padlock not supplied



COMFORT

CLEANLINESS

GREEN SPACES

INFORMATION DISPLAY

BICYCLE STANDS & SHELTERS

STREET FURNITURE

1

## ECONOMY ALUMINIUM 5 SPACE BICYCLE SHELTER

### Structure

> Anodised aluminium Ø 50 mm tubular uprights for assembly with cast aluminium connectors, locked in place with stainless steel screws.

> Dimensions:

Length 2576 x Height 2150 x Depth 1977 mm.

### Roof

> 10 mm translucent anti-UV cellular polycarbonate glazing panels.

### Extension

> Capacity of the shelter can be increased by adding extension units to the basic unit for a further 5 further bicycles.

> Dimensions:

Length 2550 x Height 2150 x Depth 1977 mm.

### Installation

> To be concreted directly into the ground.

## OPTIONS: CLADDINGS AND BICYCLE RACK

### Back and side-cladding

> 10 mm translucent anti-UV cellular polycarbonate glazing panels.

### 5-Space bicycle rack

> Made of galvanised steel. Designed to fit in the shelter, alternative high/low rack for optimum use of space.

> May be used free-standing or anchored to the ground using pre-drilled Ø 10 mm holes.

> Bolts not supplied.

Alu. 5-space shelter without cladding	529260
Alu. 5-space extension without cladding	529261
<b>All-in-one:</b> Alu. 5-space shelter + 2 side-cladding panels + 1 back-cladding panel (in 2 parts)	529265

Options	
1 pair side-cladding panels	529270
1 back-cladding panel	529271
5-Space bicycle rack	204719



Version shown: Aluminium cycle shelter + extension, cladding and optional bicycle rack.



**2**

**MOONSHAPE SHELTER**

One of the most popular PROCITY® bicycle shelters, often with extensions.

**Structure**

> A contemporary shape: supporting members and crossbeams made from tubular steel assembled using inserts.

**Roof and cladding**

- > Aluminium profile cross member and rainwater gutter.
- > Canopy made of 6 mm translucent anti-UV cellular polycarbonate glazing.
- > Side cladding panels in 4 mm tinted polycarbonate.

**Bicycle rack**

> Included with this shelter is an integral 6-space bicycle rack whose colour matches that of the shelter. Made of Ø 22 mm steel tube attached to the crossbeam by stainless steel screws [supplied].

**Finish and assembly**

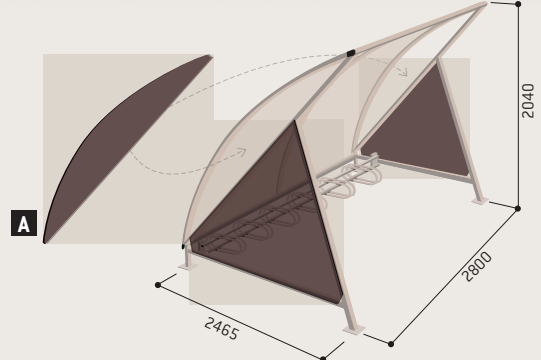
- > Galvanised and painted finish in our RAL colours.
- > Installation on base plates and expansion bolts supplied.

**Option**

> Pair of upper side cladding panels in 4 mm tinted polycarbonate.

	Length x height x depth	Code
Moonshape Shelter	2800 x 2110 x 2365	<b>529030</b>
Moonshape Extension	2800 x 2110 x 2365	<b>529031</b>

Options	
<b>A</b> Pair of upper side cladding panels	<b>529032</b>



**3**

**CONVIVIALE® BICYCLE SHELTER**

A modern & innovative cantilever design, making use of decorative plasma cut roof supports.

**Structure**

- > 100 x 60 mm steel verticals.
- > To be concreted directly into the ground.

**Roof**

- > 50 x 30 mm cross members.
- > 10 mm translucent anti-UV cellular polycarbonate glazing panels.

**Finish**

> Galvanised and painted finish in our RAL colours.

**OPTIONS: CLADDING AND EXTENSIONS**

- > 10 mm translucent anti-UV cellular polycarbonate side panels.
- > Side-cladding panels supplied in pairs.
- > Back-cladding.
- > Aluminium frame.

**Extensions**

> 1300 mm extension modules to allow the size of the cycle shelter to be adapted to the required length.

	Length x height x depth	Code
Conviviale® Shelter	2700 x 2100 x 2300	<b>529610</b>
Conviviale® Extension	1300 x 2100 x 2300	<b>529611</b>

Cladding options	
1 pair side-cladding panels	<b>529616</b>
Back cladding for the basic unit	<b>529615</b>
Back cladding for the extension units	<b>529617</b>



Version shown: 529610 + 529611 + 2 x 6 space high-low bicycle rack 204711

1

## DECORATIVE ALUMINIUM SHELTER

A modular shelter in full aluminium, with a multitude of options including decorative top caps.

### Structure

- > Aluminium tube uprights:  $\varnothing$  76 mm.
- > Collars and decorative base covers in cast aluminium.
- > 6-space bicycle rack included with the shelter and/or the extension units. Galvanised steel, painted in our RAL colours.

### Roof


- > Frame comprising two 40 x 60 aluminium beams, attached by two collars to the posts, two aluminium profile rainwater gutters.
- > Curved aluminium profile roof arcs.
- > Canopy made of 6 mm translucent anti-UV cellular polycarbonate glazing.

### Finish

- > Painted in our RAL colours.

### Installation

- > To be concreted directly into the ground.

City	Agora	Sphere	Forum	Stainless steel
				
6 space deco shelter structure & rack				
529120	529121	529122	529124	529125
<b>All-in-one:</b> 6 space shelter + integrated bicycle rack + back & side cladding and collars				
529160	529161	529162	529163	529164
Cladding options				
1 pair side-cladding panels				529150
1 back-cladding panel				529151
Cladding attachment collars				207000



Version shown: Shelter + extension + side cladding + 2 rear claddings + 14 collars + 5 Classic bicycle stands (non-standard version without the 6-space bicycle racks).

## OPTIONS: CLADDING AND EXTENSIONS

Cladding comprises an aluminium profile frame with glazing made of translucent cellular UV stabilised 10 mm polycarbonate.

- > Side-cladding panels supplied in pairs, to be attached to posts by collars.
- > Back-cladding comprising 2 panels with a central upright, to be attached to the posts by collars.
- > **Attachment collars to be added to cladding codes.**

### Extensions

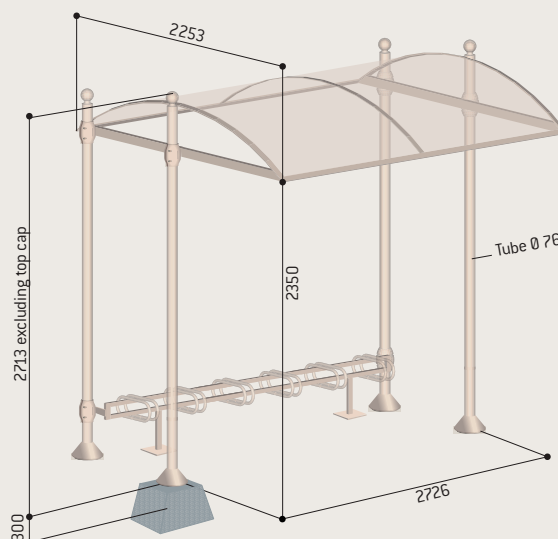
- > The shelter can be increased by adding extension units to the basic unit (extension cannot be retro-fitted).

6 space deco shelter structure & rack extension Length 2613 mm
---

529140
--------



Optional side cladding, back cladding and attachment collars.





2

**VENICE SHELTER**

Featuring a modern & unique design, this modular shelter is the perfect complement to the Venice collection.

**Structure**

- > 80 x 40mm steel tubes.
- > Decorative side cladding panels (made of polycarbonate plasma cut & tinted in a choice of 751 grey, 327 red or 636 green).
- > Installation on base plates.

**Roof**

- > 50 x 30 mm and 50 x 20 mm steel profile cross members.
- > Canopy made of 10 mm cellular polycarbonate glazing or 1mm galvanised steel sheet.

**Finish**

- > Steel galvanised only or galvanised & painted in our standard colour options.

**OPTIONS: CLADDING AND EXTENSIONS**

- > Based on a galvanised or galvanised & painted steel tube structure:
  - **A** Pair of side cladding panels comprising galvanised or galvanised & painted steel tubes, plus 10mm cellular polycarbonate panels.
  - **B** 10mm cellular polycarbonate back cladding.
- > Additional extension units can be added as required, in modules of 3.2m.

**Shelter - initial unit**

Galvanised steel roof, <b>without</b> decorative panels, <b>galvanised finish</b>	<b>529640</b>
Cellular polycarbonate roof, <b>without</b> decorative panels, <b>galvanised finish</b>	<b>529645</b>
Cellular polycarbonate roof, <b>with</b> decorative panels, <b>galva &amp; painted finish</b>	<b>529630</b>


**Shelter - extension unit**

Galvanised steel roof, <b>galvanised finish</b>	<b>529641</b>
Cellular polycarbonate roof, <b>galvanised finish</b>	<b>529646</b>
Cellular polycarbonate roof, <b>galva &amp; painted finish</b>	<b>529631</b>


Options: cladding	Galva	Painted
Pair of side cladding panels	<b>529642</b>	<b>529635</b>
Back cladding for initial unit	<b>529643</b>	<b>529636</b>
Back cladding for extension unit	<b>529644</b>	<b>529637</b>

*Bicycle stands optional, see page 63.*


Colour options for decorative panels



751 Grey



327 Red



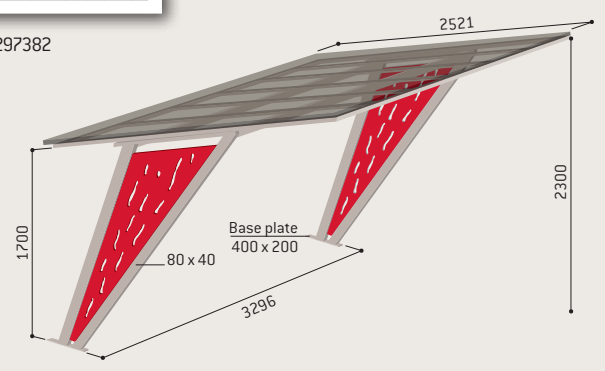
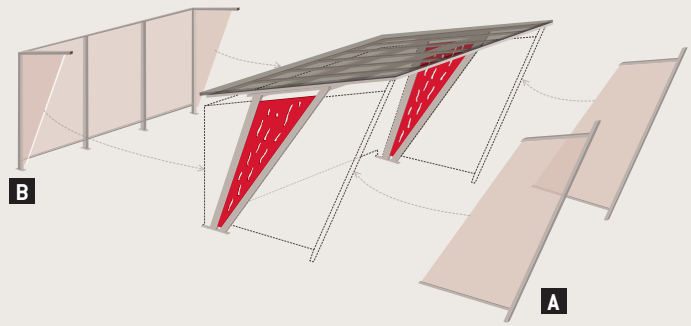
636 Green



Version shown: 529630 in Procity® grey with red polycarbonate decoration 327 + bicycle stands 297382



Version shown: 529645



COMFORT

CLEANLINESS

GREEN SPACES

INFORMATION DISPLAY

BICYCLE STANDS & SHELTERS

STREET FURNITURE

1 / 2

## VOUTE MULTI-FUNCTIONAL SHELTER SYSTEM

A fully modular shelter system offering the possibility to add extensions as required, with or without cladding, to meet all your shelter needs. Also available with "integrated LED lighting".

### 1 Standard Voute multi-functional shelter system

A simple shelter, modular in style to meet your needs: walkways, covered playground, cycle shelter, etc. The extension feature allows you to create a sheltered path to the desired length. The back cladding option offers the option of protecting pedestrians from bad weather conditions on either side of the walkway.

### 2 XXL Voute multi-functional shelter system

This naturally oversized and modular system provides shelter on a larger scale.

### Common features

#### Structure

- > Framework comprising 80 x 80 mm steel.
- > Galvanised and painted finish in our RAL colours.
- > Dimensions:  
Basic multi-functional shelter system:  
Length 2500 x Height 2635 x Width 2090 mm.  
XXL shelter: Length 5000 x Height 3010 x Width 4160 mm.

#### Roof

- > The roof framework features two aluminium tubular crossbeams and two aluminium rainwater gutters that are fixed to built-in U-shaped sections of uprights. Painted in our RAL colours.
- > Canopy made of 6 mm translucent anti-UV cellular polycarbonate glazing.

#### LED Lighting (for "Integrated LED lighting" version)

- > Factory fitted LED lighting strips in the crossbeams.
- > Power supply of 220 V required, electrical installation to be carried out by a professional. Circuit breaker not included.

#### Options: cladding, extensions and cycle storage

##### Side and back-cladding

Cladding comprises an aluminium profile frame with glazing made of translucent cellular UV stabilised 10 mm polycarbonate.

##### Extensions

- > Extension unit for standard shelter:  
Length 2500 x Height 2635 x Width 2090 mm.
- > Intermediary extension unit for XXL shelter:  
L 2500 x H 3010 x W 4160 mm.

##### Wind/rain protection from cross-members to the roof

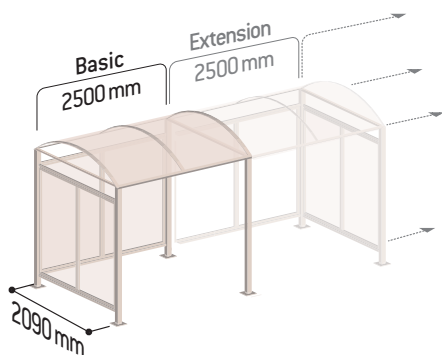
##### Bicycle and motorcycle stands

- > See pages 66 and following pages.

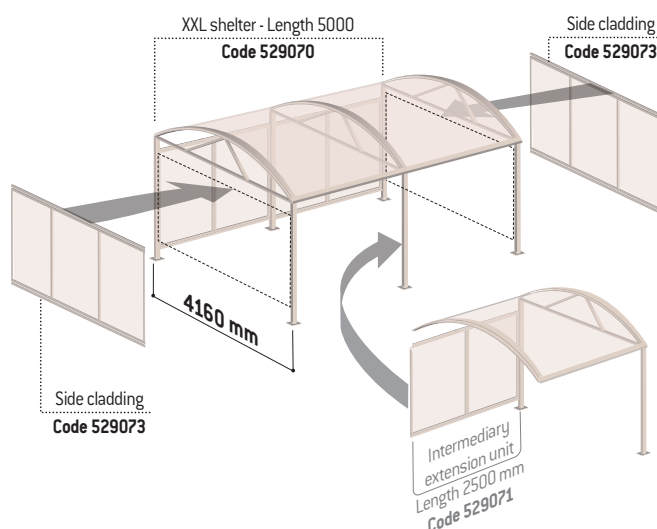


Version shown: 1 Voute XXL shelter  
+ 6 intermediary extension units

### 1 Standard multi-functional shelter



### 2 XXL shelter





Voite multi-functional shelter system	
Basic shelter unit without cladding	529040
Extension unit without cladding	529041
<b>All-in-one 2500mm:</b> basic shelter unit including side & back cladding	529050
<b>All-in-one 5000mm:</b> basic shelter + extension unit including side & back cladding	529374

Voite multi-functional shelter system Version "integrated LED lighting"	
Basic shelter unit without cladding	529040L
Extension unit without cladding	529041L

Optional	
Side-cladding for one side	529042
Back-cladding for basic unit*	529043
Back-cladding for extension unit*	529048
Wind/rain protection from cross-members to the roof	529058

\*Used as cladding for covered walkways.

Voite XXL	
Basic XXL shelter unit without cladding	529070
Intermediary XXL extension unit without cladding	529071

Optional	
XXL side cladding	529073
XXL rear cladding 5000 mm	529074
XXL extension rear cladding 2500 mm	529075



**GALVANISED**

Version shown: Voite shelter + 4 extension units + 1 side claddings + 5 modular decorative bicycle stands



Version shown:  
Voite shelter + 1 extension unit  
+ 2 side claddings + 2 back claddings  
+ 2 modular decorative bicycle stands

**1** Version shown: walkway + 4 extension units





# STREET FURNITURE

## STEEL BOLLARDS



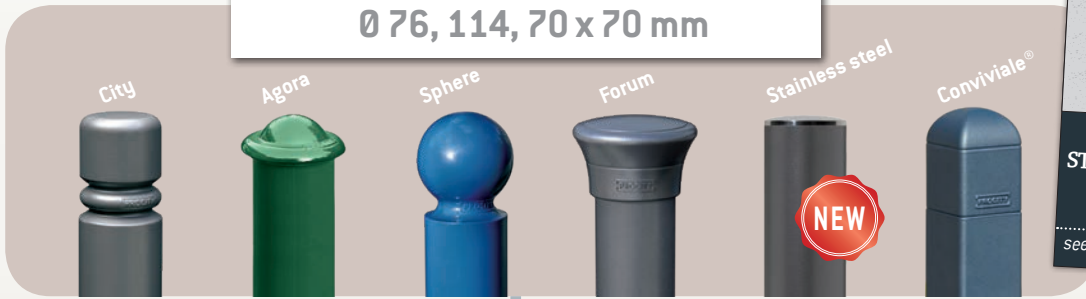
## S U M M A R Y

- 83 Decorative steel bollards  $\varnothing$  76 and 114 mm
- 84 Conviviale® & Dome top steel bollard
- 86 Steel bollards & chains
- 87 Dome top bollard with collar
- 87 Ellipse bollards
- 88 High visibility steel bollards & wooden bollards
- 89 Amortishock® steel bollards & Soliblock® fold down bollards
- 90 Primablock® removable bollards & Steel security bollards
- 91 Sockets for steel bollards & Lockblock® 21 socket system for  $\varnothing$  76,  $\varnothing$  90 and  $\varnothing$  114 mm steel bollards

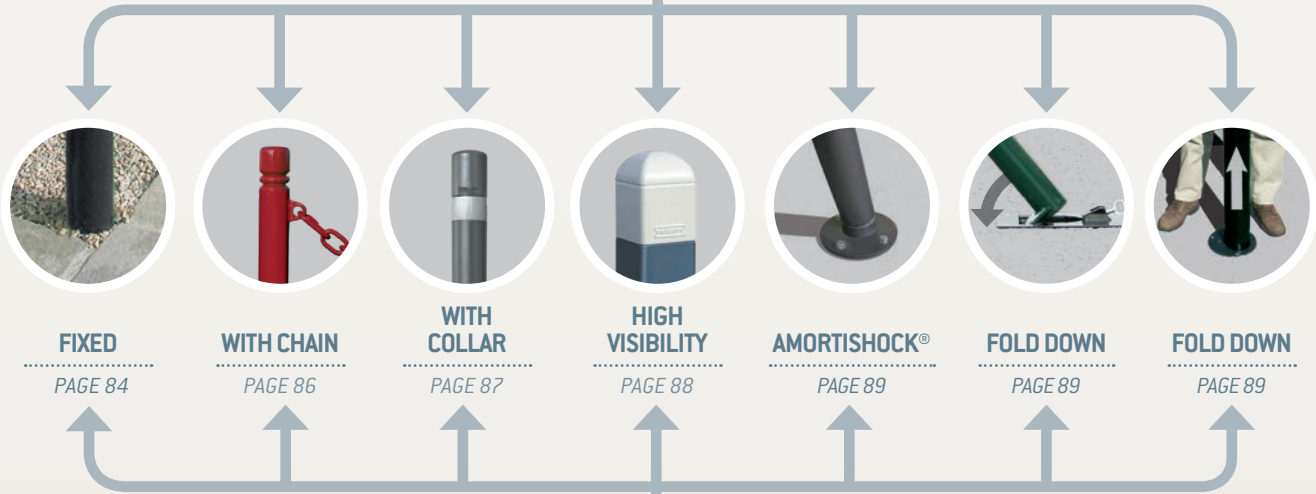


**DECORATIVE STEEL BOLLARDS**

Ø 76, 114, 70 x 70 mm

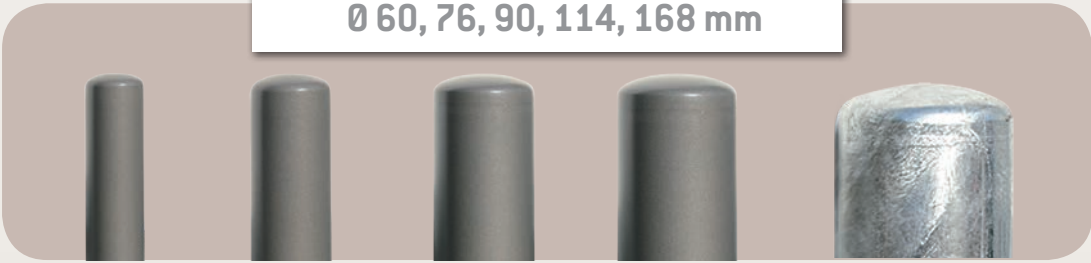


ALL OUR STEEL BOLLARDS CAN BE MADE REMOVABLE see page 91 for options



**DOME TOP STEEL BOLLARDS**

Ø 60, 76, 90, 114, 168 mm



**ELLIPSE STEEL BOLLARDS**  
Ø 90 mm

**WOODEN BOLLARDS**  
93 X 93 mm

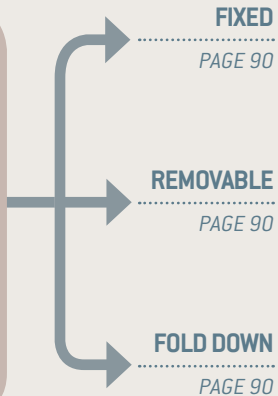
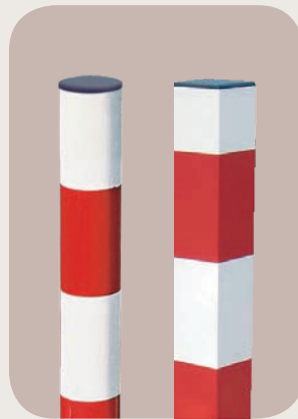
**STEEL SECURITY BOLLARDS**  
Ø 76 & 70 x 70 mm



PAGE 87



PAGE 88



COMFORT

CLEANLINESS

GREEN SPACES

INFORMATION DISPLAY

BICYCLE STANDS & SHELTERS

STREET FURNITURE

1

**DECORATIVE STEEL BOLLARDS  
Ø 76 AND 114 mm**

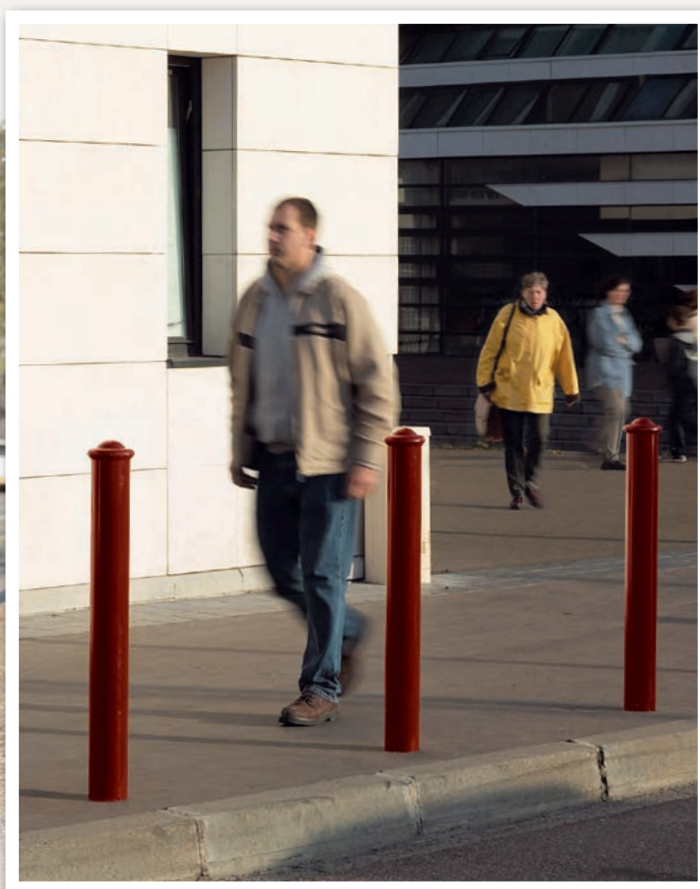
The bollards feature welded cast steel top caps, machined steel top caps or cast aluminium top caps. A new stainless steel top cap is also available.

- > Overall height 1180 mm excluding top cap.
- > Zinc primed and finished in our RAL colours (see page 4).
- > To be concreted directly into the ground.
- > Gauge of steel 3 mm.
- > All our steel bollards may be removable, see page 91 for options.



Steel bollards Ø 76 mm			
	Height above ground (mm)	Height of top cap (mm)	code
City	1105	105	<b>206320</b>
Agora	1035	35	<b>206304</b>
Sphere	1102	102	<b>206402</b>
Forum	1073	73	<b>206316</b>
Stainless steel	1010	10	<b>206424</b>

Steel bollards Ø 114 mm			
	Height above ground (mm)	Height of top cap (mm)	code
City	1158	158	<b>206493</b>
Agora	1052	52	<b>206497</b>
Sphere	1143	143	<b>206496</b>
Forum	1110	110	<b>206498</b>
Stainless steel	1010	10	<b>206499</b>



City steel bollard  
Ø 76 & 114 mm

Agora steel bollard  
Ø 76 & 114 mm

Sphere steel bollard  
Ø 76 & 114 mm

Forum steel bollard  
Ø 76 & 114 mm

Stainless steel bollard  
Ø 76 & 114 mm

Conviviale® steel bollard  
70 x 70 mm



Decorative steel bollards shown here are in Ø 76



2

**CONVIVIALE® STEEL BOLLARD**  
70 x 70 mm

- Its innovative appearance enables demarcation of public spaces with elegance & simplicity.
- > 70 x 70 mm steel tubing without sharp angles.
- > Courbe de Diamant® ("diamond curve") moulded aluminium top cap.
- > Height above ground: 1100 mm, total height: 1280 mm.
- > Zinc primed and finished in our RAL colours (see page 4).
- > To be concreted directly into the ground.
- > All our steel bollards may be removable, see page 91 for options.

Conviviale® Steel Bollard      206332

3

**DOME TOP STEEL BOLLARDS**

- > 3 mm gauge steel tube with a rounded welded cap.
- > Diameters 60, 76, 90, 114 or 168 mm.
- > May be made removable using the Lockblock® 21 system (except Ø 60 or Ø 168 mm), see page 91.
- > Galvanised or galvanised and painted finish in our RAL colours.

Dome Top Steel Bollards		Galvanised	Galva & painted	Painted on zinc
Ø 60 mm	H 1100 mm	204320	204330	204660
Ø 76 mm	H 1000 mm	204360	204364	204661
Ø 90 mm	H 1000 mm	204350	204351	204662
Ø 114 mm	H 1000 mm	204391	204395	204663
Ø 168 mm	H 1200 mm	204399	601279	602710



ALL OUR STEEL BOLLARDS CAN BE MADE REMOVABLE  
see page 91 for options



Dome top steel bollard  
Ø 60 mm

Dome top steel bollard  
Ø 76 mm

Dome top steel bollard  
Ø 90 mm

Dome top steel bollard  
Ø 114 mm

Dome top steel bollard  
Ø 168 mm



Finishes: galvanised, galvanised and painted or painted on zinc primer

COMFORT

CLEANLINESS

GREEN SPACES

INFORMATION DISPLAY

BICYCLE STANDS & SHELTERS

STREET FURNITURE





1



## STEEL BOLLARDS & CHAINS



Use your bollards as pedestrian & vehicle access control. Choose the chain post (see column) and the type of chain to be installed (see below).



Chains		
Internal dimensions (mm)	Galvanised	Galvanised then painted
<b>F</b> 0 12 x 24 x 78	<b>204371</b>	<b>204381</b>
<b>G</b> 0 12 x 24 x 80	<b>204376</b>	<b>204386</b>
<b>H</b> 0 5 x 10 x 35	<b>204370</b>	<b>204380</b>
<b>I</b> 0 5 x 13.5 x 51	<b>204375</b>	<b>204385</b>



Bollards & ringlets			
			
Diameter	Number of ringlets	City	Agora
0 76	1	<b>206321</b>	<b>206323</b>
	2	<b>206322</b>	<b>206325</b>
0 114	1	<b>206494</b>	<b>206522</b>
	2	<b>206495</b>	<b>206525</b>

Bollards & ringlets			
			
Diameter	Number of ringlets	Sphere	Forum
0 76	1	<b>206410</b>	<b>206318</b>
	2	<b>206411</b>	<b>206319</b>
0 114	1	<b>206523</b>	<b>206528</b>
	2	<b>206526</b>	<b>206529</b>

Bollards & ringlets			
			
Diameter	Number of ringlets	Stainless steel	
0 76	1	<b>206426</b>	
	2	<b>206427</b>	
0 114	1	<b>206535</b>	
	2	<b>206536</b>	

Bollards & ringlets				
				
Ø	Number of ringlets	Dome top galvanised	Dome top galva & painted	Dome top zinc primed & painted
0 60	1	<b>204321</b>	<b>204331</b>	<b>204665</b>
	2	<b>204322</b>	<b>204332</b>	<b>204666</b>
0 76	1	<b>204361</b>	<b>204365</b>	<b>204668</b>
	2	<b>204362</b>	<b>204366</b>	<b>204669</b>



ALL OUR  
STEEL BOLLARDS  
CAN BE MADE  
REMOVABLE  
see page 91 for options



**2**

**DOME TOP BOLLARD WITH COLLAR**

A new aspect to the classic PROCITY® dome topped bollard with a collar cast into the top cap.

- > 3 mm gauge Ø 76 mm steel tube.
- > Cast aluminium Dome top cap.
- > Height above ground 1150 mm, total height 1330 mm.
- > Zinc primed and finished in our RAL colours (see page 4).
- > Choices:
  - Top cap, collar and bollard finished in the same colour,
  - Collar finished in a different standard colour or "Titanium" finish.
- > To be concreted directly into the ground.
- > All our steel bollards may made removable, see page 91 for options.

Dome top bollard with collar standard finish	<b>204347</b>
Dome top bollard with collar Titanium finish	<b>204348</b>



**3**

**ELLIPSE BOLLARDS**

A modern approach and more inviting than stainless steel.

PROCITY® innovates and opens the door to personalisation: a Ø 90 mm bollard surmounted by an original top cap with elegant simplicity.

- > Ø 90 mm steel tube.
- > Total height 1210 mm.
- > Ellipse top cap in cast aluminium.
- > Zinc primed and finished in our RAL colours (see page 4).
- > To be concreted directly into the ground.
- > All our steel bollards may made removable, see page 91 for options.

**Ø 90 mm**



ALL OUR STEEL BOLLARDS CAN BE MADE REMOVABLE  
see page 91 for options



PROCITY® Grey  
**206729**

Titanium  
**206730**



COMFORT

CLEANLINESS

GREEN SPACES

INFORMATION DISPLAY

BICYCLE STANDS & SHELTERS


STREET FURNITURE

1

## HIGH VISIBILITY STEEL BOLLARDS

Specific colour contrast and special sizes allow these bollards to be fully DDA compliant.

- > Steel tubes  $\varnothing$  60,  $\varnothing$  76,  $\varnothing$  114 or 70 x 70 mm.
- > A choice of 5 top caps:
  - City, Sphere, Dome or Stainless steel on a round bollard.
  - Conviviale® *Courbe de Diamant* ("diamond curve") on 70 x 70 mm post.
- > Height above ground: at least 1200 mm.
- > Zinc primed and finished in black (RAL 9005), top cap in white lacquer (RAL 9010).
- > To be concreted directly into the ground.

Steel Bollards $\varnothing$ 60 mm			
	Height above ground (mm)	Height of top cap (mm)	Code
Carrefour	1300	100	206482
Steel Bollards $\varnothing$ 76 mm			
City	1305	105	206327
Sphere	1302	102	206407
Dome top	1300	100	206479
Stainless steel	1300	100	206334 
Steel Bollards $\varnothing$ 114 mm			
City	1358	158	206477
Sphere	1343	143	206487
Steel Bollard 70 x 70 mm			
Conviviale®	1300	100	206333

2 3

## WOODEN BOLLARDS

Essential to protect green spaces from unauthorised parking or entry. Available with a flat or pyramid top.

- > Total height: 1000 mm.
- > Height above ground: 830 mm.
- > Bollard in FSC certified hard wood 93 x 93 mm.
- > Choice of 2 bollard top finishes.
- > Wood finish: water based colour stain preserver in light oak or mahogany.
- > To be concreted directly into the ground.

2 Flat top	207915
3 Pyramid top	207916



City top cap



Sphere top cap



Dome top cap



Conviviale® top cap



Stainless steel top cap



Wooden bollard Flat top



Wooden bollard Pyramid top





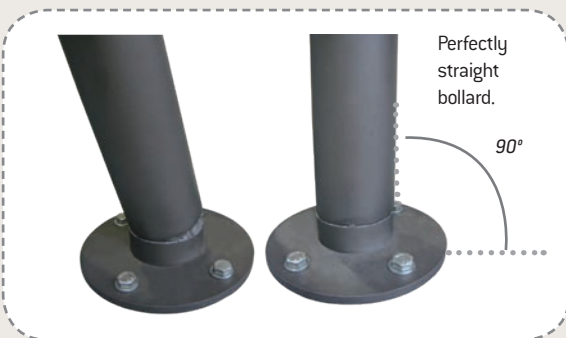
4

**AMORTISHOCK® STEEL BOLLARDS**

Ø 76 mm steel bollard with decorative top cap or dome top. Withstands the slow speed impact of a vehicle and returns to an upright position thanks to its spring-loaded pivoting system.

- > Maximum inclination: 45°.
- > Zinc primed and finished in our RAL colours (see page 4), with four cast aluminium top caps: City, Agora, Sphere and Forum.
- > Dome top: galvanised or galvanised and painted finish in our RAL colours.
- > Bolted to the ground, U-shaped ground hoops supplied.

Top cap:	City	Agora	Sphere	Forum	Stainless steel
Height above ground	1105 mm	1035 mm	1102 mm	1073 mm	1010 mm
Code	<b>206632</b>	<b>206630</b>	<b>206631</b>	<b>206636</b>	<b>206639</b>
	Galvanised		Galva & painted		
Dome top	<b>206633</b>		<b>206634</b>		



5

**SOLIBLOCK® FOLD DOWN BOLLARDS**

Soliblock® system with steel bollards: Ø 76 and 114 mm, choice of 4 decorative top caps or dome top cap.

These heavy duty and extremely robust fold down bollards are market leading products in terms of access control.

Its anchorage and locking system ensure perfect bollard rigidity in the upright position.

It features a 14 mm prisoner key to ensure that it is returned to the upright position. In the lowered position, the locking part becomes fully covered to prevent ingress of gravel or leaves.

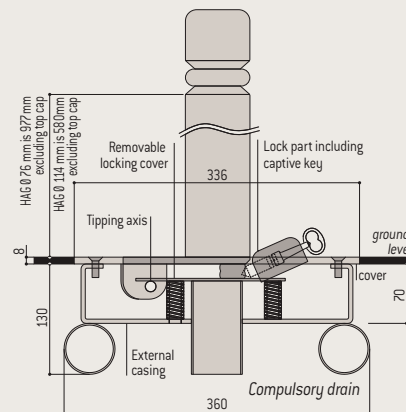
- > Steel tube with cast steel or aluminium top cap.
- > Bollard finished in galvanised (dome top only) or galvanised & painted in our RAL colours.
- > Base is galvanised and painted RAL 9005.
- > Fixing rods supplied.



Top cap:	City	Agora	Boule	Forum	Stainless steel
Ø 76 mm	<b>206674</b>	<b>206675</b>	<b>206676</b>	<b>206695</b>	<b>206678</b>
Ground clearance	98 mm	106 mm	105 mm	133 mm	114 mm
Ø 114 mm	<b>206670</b>	<b>206671</b>	<b>206672</b>	<b>206696</b>	<b>206699</b>
Ground clearance	140 mm	150 mm	150 mm	187 mm	137 mm

**NEW**

Dome top	Galvanised	Galva & painted
Ø 76 mm	<b>206685</b>	<b>206689</b>
Ground clearance	114 mm	114 mm
Ø 114 mm	<b>206686</b>	<b>206688</b>
Ground clearance	137 mm	137 mm



COMFORT

CLEANLINESS

GREEN SPACES

INFORMATION DISPLAY

BICYCLE STANDS & SHELTERS

STREET FURNITURE

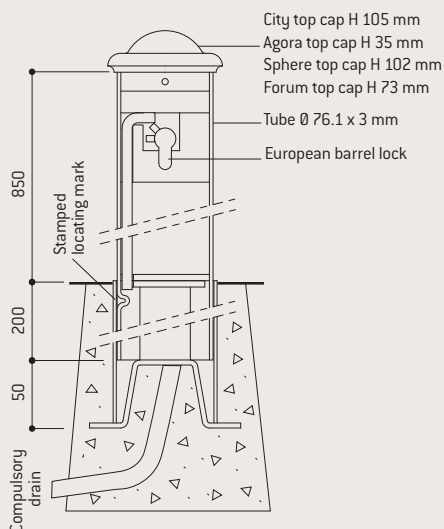
1

**PRIMABLOCK® REMOVABLE BOLLARDS**

Removable device consisting of a  $\varnothing$  76 mm upright, locking post for optimised use. A choice of four decorative top caps.

- > Socket to be concreted into the ground. Supplied with 3 identical keys, 3 different keys or one 11 mm triangle key.
- > **Removal:** Unlock the bollard and rotate it one turn to remove it from its socket.
- > **Replacement:** Rotate the bollard so that it drops (1) into the socket. Complete the turn to lock in place (2).
- > Zinc primed and finished in our RAL colours (see page 4).

	City	Agora	Sphere	Forum
3 x different keys	206642	206640	206641	206710
3 x identical keys	206645	206647	206665	206711
1 x 11 mm triangle key	276642	206659	206666	206712



2

**STEEL SECURITY BOLLARDS**

The white colour and red reflective strips (class 2) increase visibility and safety.

- > Height above ground: 1000 mm; Total height 1180 mm.
- > Zinc primed and finished in RAL 9010 with 3 red reflective strips for enhanced night-time safety.
- > Fixed steel bollard  $\varnothing$  76 mm or 70 x 70 mm, to be concreted into the ground.

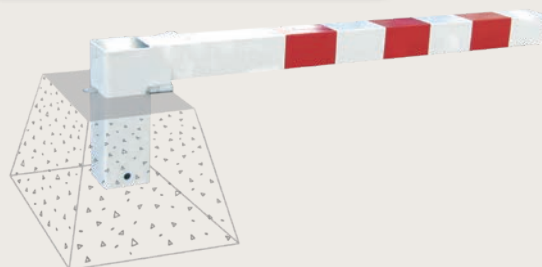
$\varnothing$ 76 mm fixed steel bollard	204344
70 x 70 mm fixed steel bollard	204345

- > Removable steel bollards:  $\varnothing$  76 mm or 70 x 70 mm, basic socket or lockable socket (triangle key).
- > Sockets to be added to the selected fixed steel bollard reference:

Basic socket for round steel bollard $\varnothing$ 76 mm	204304
Basic socket for square steel bollard 70 x 70 mm	204317
Lockable socket for round steel bollard $\varnothing$ 76 mm	204294
Lockable socket for square steel bollard 70 x 70 mm	204295

- > Fold down steel bollard: 70 x 70 mm, locks using a triangle key. Ground clearance: 96 mm.
- > Finish: galvanised and painted in RAL 9010 white with 3 red reflective strips.

Fold down 70 x 70 mm steel bollard	206687
------------------------------------	--------





3

## SOCKETS FOR STEEL BOLLARDS

### Lockable Sockets

The lockable sockets for 70 x 70 mm, Ø 60 mm, Ø 76 mm and Ø 90 mm bollards are equipped with a static galvanised lacquered central flush boss, ensuring no trip hazard when the bollard is removed.

- > The sockets provide total stability, locking with an 11 mm triangle key.
- > "Concrete fix" effect: the bollard is perfectly stable once in place.
- > 100% galvanised for complete corrosion protection.
- > Drains naturally through sub surface gravel.
- > Reservoir allows the accumulation of sand, gravel, etc.
- > The lock is protected by a black-lacquered flap.

Lockable socket for bollards 70 x 70 mm	<b>204295</b>
Lockable socket for bollards Ø 60 mm	<b>306510</b>
Lockable socket for bollards Ø 76 mm	<b>204294</b>
Lockable socket for bollards Ø 90 mm	<b>204297</b>

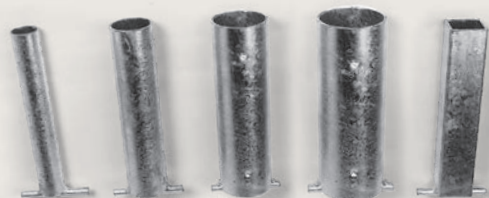


### Standard Sockets for Steel Bollards

To make the bollards removable without the need for a key.

- > Galvanised steel, in tubes of:

Ø 60 mm	<b>204303</b>
Ø 76 mm	<b>204304</b>
Ø 90 mm	<b>204338</b>
Ø 114 mm	<b>204311</b>
70 x 70 mm	<b>204317</b>



4

## LOCKBLOCK® 21 SOCKET SYSTEM FOR Ø 76, Ø 90 AND Ø 114 mm STEEL BOLLARDS

- > **To unlock:** insert an 11 mm triangle key, rotate the bollard, then simply lift the bollard out of the Lockblock® 21. The bollard is lifted out in the upright position.
- > **To lock:** insert the bollard and rotate without bending down.
- > 100% galvanised with stainless steel internal mechanism for complete corrosion protection.
- > Static galvanised lacquered central flush boss, ensuring no trip hazard when the bollard is removed.
- > Drains naturally through sub surface gravel.
- > A reservoir allows for the accumulation of sand, gravel, etc., and can be removed for easy maintenance.
- > The parts above ground level are lacquered in black.
- > Installation directional indicator for use with chain posts.
- > 180 mm of the bollards are set into the sockets.

Lockblock® 21 for bollard Ø 76 mm	<b>206557</b>
Lockblock® 21 for bollard Ø 90 mm	<b>206556</b>
Lockblock® 21 for bollard Ø 114 mm	<b>206558</b>



COMFORT

CLEANLINESS

GREEN SPACES

INFORMATION DISPLAY

BICYCLE STANDS & SHELTERS

STREET FURNITURE



# STREET FURNITURE

## CAST IRON BOLLARDS

### S U M M A R Y

- 93 Fixed stainless steel & fixed Conviviale® cast iron bollards
- 94 Fixed cast iron bollard & Barcelona bollards
- 95 Lockblock® 21 socket system for removable cast iron bollards
- 96 Retractable cast iron bollards
- 97 Anti-ram bollards

**PRO**CITY<sup>®</sup>



*Agora cast iron bollards  
Ø 160 mm, HA6 720 mm*



1

## FIXED STAINLESS STEEL BOLLARD

Contemporary and elegant design, with 220 mm stainless steel top cap.

- > Steel bollards: Ø 220 mm, height above ground 600 mm.
- > 316 stainless steel cap.
- > Zinc primed and finished in our RAL colours (see page 4).
- > To be concretely directly into the ground.
- > Can be made removable using the Lockblock® 21 socket system (see page 95).



**Stainless steel**

HAG 600 mm  
Ø 220 mm

**206621**

2

## FIXED CONVIVIALE® CAST IRON BOLLARDS

Two models of cast iron bollards with modern and refined shapes, to be used in harmony with the rest of the Conviviale® collection or independently.

The rectangular version is a revolution in the development of our street furniture by offering a dual usage: a true "urban stool" that combines comfort and safety.

- > Painted after anti-corrosion treatment in our RAL colours or in our special Conviviale® colours (see page 4).
- > To be concreted directly into the ground.
- > Can be made removable using the Lockblock® 21 socket system (see page 95).



**Conviviale®**

HAG 360 mm  
Ø 300

**206428**



**Conviviale®**

HAG 440 mm  
200 x 200 mm

**206429**



COMFORT

CLEANLINESS

GREEN SPACES

INFORMATION DISPLAY

BICYCLE STANDS & SHELTERS

STREET FURNITURE

1

**FIXED CAST IRON BOLLARD**

Two styles of bollards, four different heights, for protection of pedestrian areas. The choice of modern or traditional design enhances any type of urban landscape.

- > Painted after anti-corrosion treatment in our RAL colours (see page 4).
- > To be concreted directly into the ground.
- > Can be made removable using the Lockblock® 21 socket system (see page 95).



**City**  
HAG 550 mm  
Ø 160 mm

206442



**City**  
HAG 675 mm  
Ø 160 mm

206448



**Agora**  
HAG 585 mm  
Ø 270 mm

206365



**Agora**  
HAG 720 mm  
Ø 160 mm

206449

2

**BARCELONA BOLLARDS**

Contemporary and sleek design, to blend well into any environment.

> Steel bollards:

- Ø 270 mm, height above ground 510 mm.
- Ø 220 mm, height above ground 600 mm.
- Ø 160 mm, height above ground 700 mm.

> Zinc primed and finished in our RAL colours (see page 4).

> To be concreted directly into the ground.



HAG 510 mm  
Ø 270 mm

206457



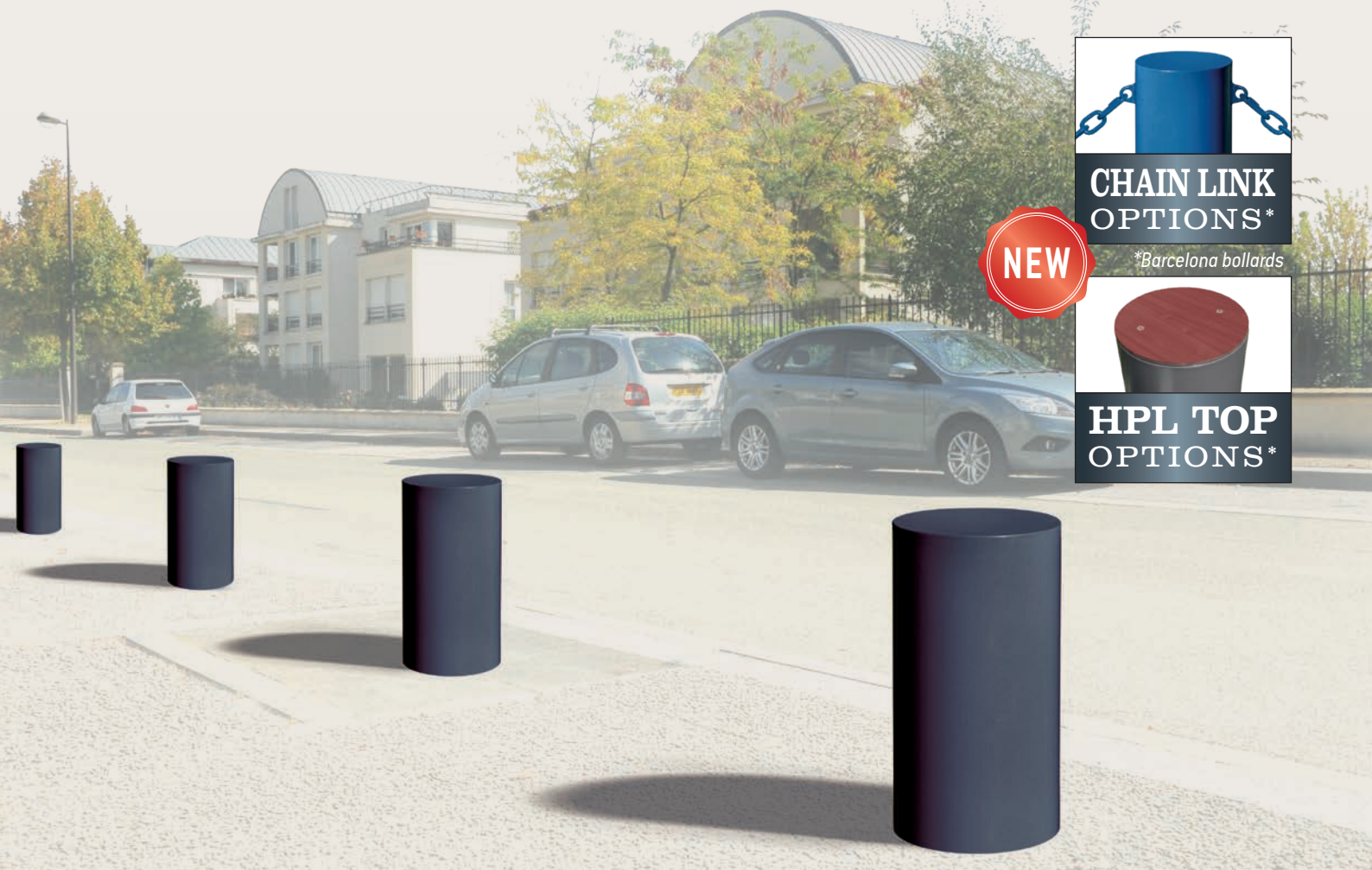
HAG 600 mm  
Ø 220 mm

206458



HAG 700 mm  
Ø 160 mm

206459



**CHAIN LINK  
OPTIONS\***

\*Barcelona bollards

**NEW**



**HPL TOP  
OPTIONS\***



3

## LOCKBLOCK® 21 SOCKET SYSTEM FOR REMOVABLE CAST IRON BOLLARDS

Four styles of bollard, two different heights, for occasional access to protected areas. Add the Lockblock® code to the choice of bollard.

- > "Concrete effect": the bollard remains perfectly stable when in the socket.
- > 100% galvanised for complete corrosion protection.
- > The central boss is always secured against loss or theft.
- > Drains naturally through sub surface gravel.
- > A reservoir allows for the accumulation of sand, gravel, etc..., and can be removed for easy maintenance.
- > The parts above ground level are lacquered in black.

### Opening

- A** Unlocks with an 11 mm triangle key screw. The bollard is lifted out in the upright position.
- B** Central boss removed & inverted. Locked with the triangle key.

### Closing

> Same manoeuvre in reverse.

Code 206559

*The Lockblock® 21 system can be used for all of our cast iron bollards.*



COMFORT

CLEANLINESS

GREEN SPACES

INFORMATION DISPLAY

BICYCLE STANDS & SHELTERS

STREET FURNITURE

1

## RETRACTABLE CAST IRON BOLLARDS

Four styles of bollards, two different heights for frequent and quick access to protected or restricted areas.

- > Supplied with full installation and maintenance instructions which must be carefully followed to ensure correct functioning and lifespan. Applied force of 20kg is required to retract the bollard.
- > Painted after zinc anti-corrosion treatment in our RAL colours [see page 4].

### Operating:

- > Closing: with one turn of the key, the bollard rises and automatically locks into the raised position.
- > Opening: turn the key and remove it, then apply vertical pressure to the dome of the bollard with the foot, until it locks automatically in the lowered position.
- > Lock unit: made of stainless steel. The stainless steel lock protector is spring loaded and shields the mechanism from ingress of dirt. The standard lock supplied uses an 11 mm triangle key.

### Ground-cover (skirt):

- > Made of  $\varnothing$  460, 10 mm gauge steel.
- > Non-slip with a raised paved effect and a slope calculated to allow water to run off.
- > Galvanised & lacquered black. Fixed to the casing by four stainless steel Hex socket cap head screws ( $\varnothing$  12 mm).

### Sliding mechanism:

- > The bollard support is equipped with guide ball bearings, distortion resistant, hard wearing. The bollard slides vertically in a removable drum inserted in the external casing and is raised using a sealed gas piston.

### Casing:

- > External casing made of galvanised sheet steel, with strong lifting eyelets for quick and easy installation.



HAG 680 mm  
 $\varnothing$  160 mm

206616



HAG 590 mm  
 $\varnothing$  270 mm

206617



HAG 725 mm  
 $\varnothing$  160 mm

206618



HS 605 mm  
 $\varnothing$  220 mm

206508



HAG 515 mm  
 $\varnothing$  270 mm

206611



HAG 605 mm  
 $\varnothing$  220 mm

206612



HAG 705 mm  
 $\varnothing$  160 mm

206613



HAG 365 mm  
 $\varnothing$  300 mm

206614



HAG 445 mm  
200 x 200 mm

206615

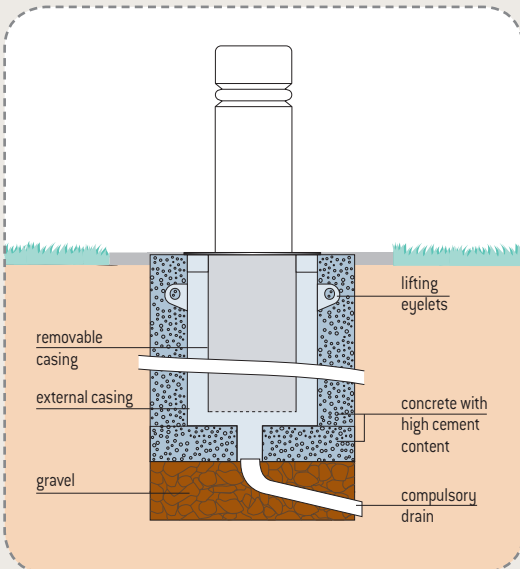






**RECOMMENDATION**

This product is designed to deter vehicular passage and it is not an "anti-ram" device and should not be used as such. Retractable bollards must not be placed in the tyre paths of vehicles.



**ANTI-RAM BOLLARDS**

Anti-ram bollards are devices aimed at deterring and stopping ram raiders. Particularly recommended for the protection of ATM machines, banks, shopping centres, jewellers, airports...

- 1238 mm (Ø 160 mm)
- 1265 mm (Ø 219 mm)
- 1286 mm (Ø 273 mm)

> Recommended above-ground height: 800 mm.  
> Gauge 4 mm.

> 3 available versions:

- with domed steel top
- without top
- with stainless steel top cap (only in Ø 219 mm).

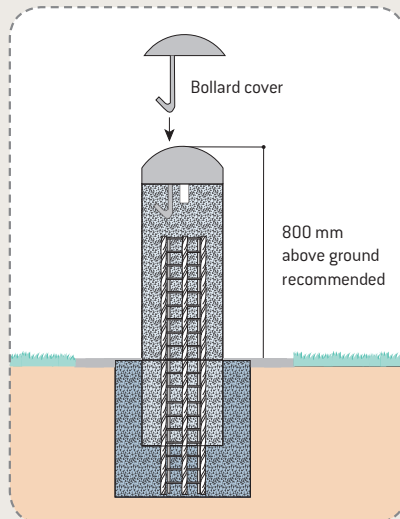
> Available in galvanised finish or zinc primed & finished in our RAL colours (see page 4).

**Installation**

> Supplied empty, the bollard is fitted with a lifting eyelet for easy installation with a lift machine.

> Fill the bollard with reinforcement steel bars and then with concrete then add the curve head, held in place by its hook.

		Painted on zinc	Galvanised	
WITH head	Ø 160 mm - H 1238	<b>206516</b>	<b>206517</b>	<b>NEW</b>
	Ø 219 mm - H 1264	<b>206444</b>	<b>206446</b>	
	Ø 219 mm - H 1200 stainless steel head	<b>206537</b>	<b>206534</b>	<b>NEW</b>
	Ø 273 mm - H 1270	<b>206445</b>	<b>206447</b>	
WITHOUT head	Ø 160 mm - H 1190	<b>206518</b>	<b>206519</b>	
	Ø 219 mm - H 1190	<b>206468</b>	<b>206469</b>	<b>NEW</b>
	Ø 273 mm - H 1190	<b>206473</b>	<b>206476</b>	



Ø 219 mm, Stainless steel head - 206537



# STREET FURNITURE

## BUS SHELTERS



## S U M M A R Y

- 100** Conviviale® bus shelter & bus stop pole
- 104** Square post bus shelters & bus stop pole







PAGE 100

**CONVIVIALE® BUS SHELTERS**

*A cantilever model featuring a modern and sleek design.*

>> Version shown: code 529385 + 209159 + 208115



PAGE 104

**SQUARE POST BUS SHELTERS**

*A functional model for use in both urban and rural areas.*

>> Version shown: Malta - code 529318

1

## CONVIVIALE® BUS SHELTER

Thanks to its elegance and modular assembly, the Conviviale® bus shelter can be adapted for any site and ensures that the laws governing highway access are adhered to. The Conviviale® bus shelter allows total control over:

### Waiting passenger capacity:

- > Standard version: 3000 mm.
- > 1000 mm extension modules to enable you to adapt the size of the bus shelter to the length required.
- > Mini-Version: 1000 mm for locations where there are fewer users.

### Advertising space:

#### Double-sided light box.

- > Free standing from the shelter, it may be placed at a perpendicular angle to the shelter or in parallel.
- > Display size: height 1710 x 1160 mm.
- > Rapid & easy poster changing.
- > Glazing can easily be replaced in the event of breakage.

#### Double sided "2000" display case.

- > Not illuminated, aluminium frame thickness: 75 mm.
- > Integrated into the shelter, fixed to post by mounting brackets.
- > Raising door made of 4 mm security glass, on gas struts.
- > Display size: height 1750 x 1200 mm.

### Seating:

- > Benches and seats.
- > Perch seats.

### Bad weather protection:

- > Side cladding.
- > Wind and snow guards.

### Night-time safety and comfort:

- > Internal lighting of the bus shelter by LED.
- > Electricity supply from a photovoltaic roof panel or local grid 220 V.

*In its standard version the CONVIVIALE® bus shelter has a small footprint which restricts to a minimum the space it takes up on the pavement, thus preventing an obstruction for pedestrians.*

2

## CONVIVIALE® BUS STOP POLE

A bus stop pole is an ideal and attractive means of marking clearly the location of a bus stop and providing users with information on the buses and timetables.

- > Width: 400 mm.
- > Height above ground: 2055 mm (excluding signage).
- > Frame: 40 x 40 mm steel tubing, elegantly curved.
- > Single-sided notice board included, capacity for three 3 or 6 A4 displays, two locks, anodised aluminium frame, thickness 30 or 75 mm, 4 mm plexichoc glazing.
- > Blank signage panel in galvanised sheet steel, usable surface height 420 x 400 mm, lacquered finish in RAL 9006.
- > Zinc primed and finished in our RAL colours (see page 4).
- > To be concreted directly into the ground.

Single sided bus stop pole	529400
----------------------------	--------

Double sided bus stop pole	702776
----------------------------	--------



Version shown: code 529362 + 209159  
with Conviviale® perch seat option code 209159





Version shown: code 529387 + 529367 (x 2)  
with Conviviale® perch seat option code 209159 (x 2) + 529399



Version shown: code 529360  
with Conviviale® perch seat option code 209159  
and Conviviale® bench option code 209115



Version shown: Conviviale® bench code 209115

## PERCH SEAT FOR CONVIVIALE® BUS SHELTER WITH USB PORT

Upgrade your bus shelters by installing a simple and practical device to make waiting for the bus productive!

- > USB port.
- > Powered by a 220V connection (see product codes below – installation must be carried out by a professional) or photovoltaic panel (contact us).
- > Steel painted on zinc in our RAL colours (see page 4).
- > Fixed to 100 x 60 mm posts.

Standard perch seat	<b>209159</b>	Do not install a perch seat with USB ports on both sides if installing next to side cladding.
Perch seat with USB port - 1 side only	<b>209166</b>	
Perch seat with USB port - 2 sides	<b>209168</b>	



Optional: USB port - code 209166

## TECHNICAL CHARACTERISTICS

The Standard Conviviale® is comprised of 3 modules of 1000 mm in length, giving a total of 3000 mm, 3 rear glass panels, a timetable case and a bus-stop sign.

- > Extension modules of 1000 mm.
- > Total depth: 1500 mm.
- > Depth of roof coverage: 1400 mm.
- > Lowest point under the roof: 2200 mm.
- > 100 x 60 mm steel verticals.
- > Rear panelling: Securit® 8 mm safety glass.
- > Roof structure: 40 x 40 mm steel tubing.
- > 5 mm sheet steel roof supports.
- > Roof made of tinted UV treated 6 mm PMMA.
- > A timetable case 750 x 750 x 30 mm anodised aluminium capacity 6 x A4.
- > Bus-stop sign height 160 x 900 mm, in galvanised steel lacquered in RAL 9006.
- > Bench and perched seating optional\*.
- > Zinc primed and finished in our RAL colours (see page 4).
- > To be concreted directly into the ground.

The Conviviale® Mini bus-stop consists of a single module of 1000 mm in length, rear glass panelling, a timetable case and a bus-stop sign.

\*Do not install the bench or perch seat next to the light box or the "2000" poster case as this will prevent them from being opened.

529400

Single sided bus-stop mast

702776

Double sided bus stop mast



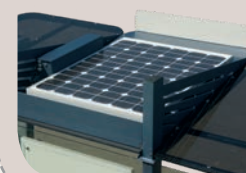
529399

Signage flag



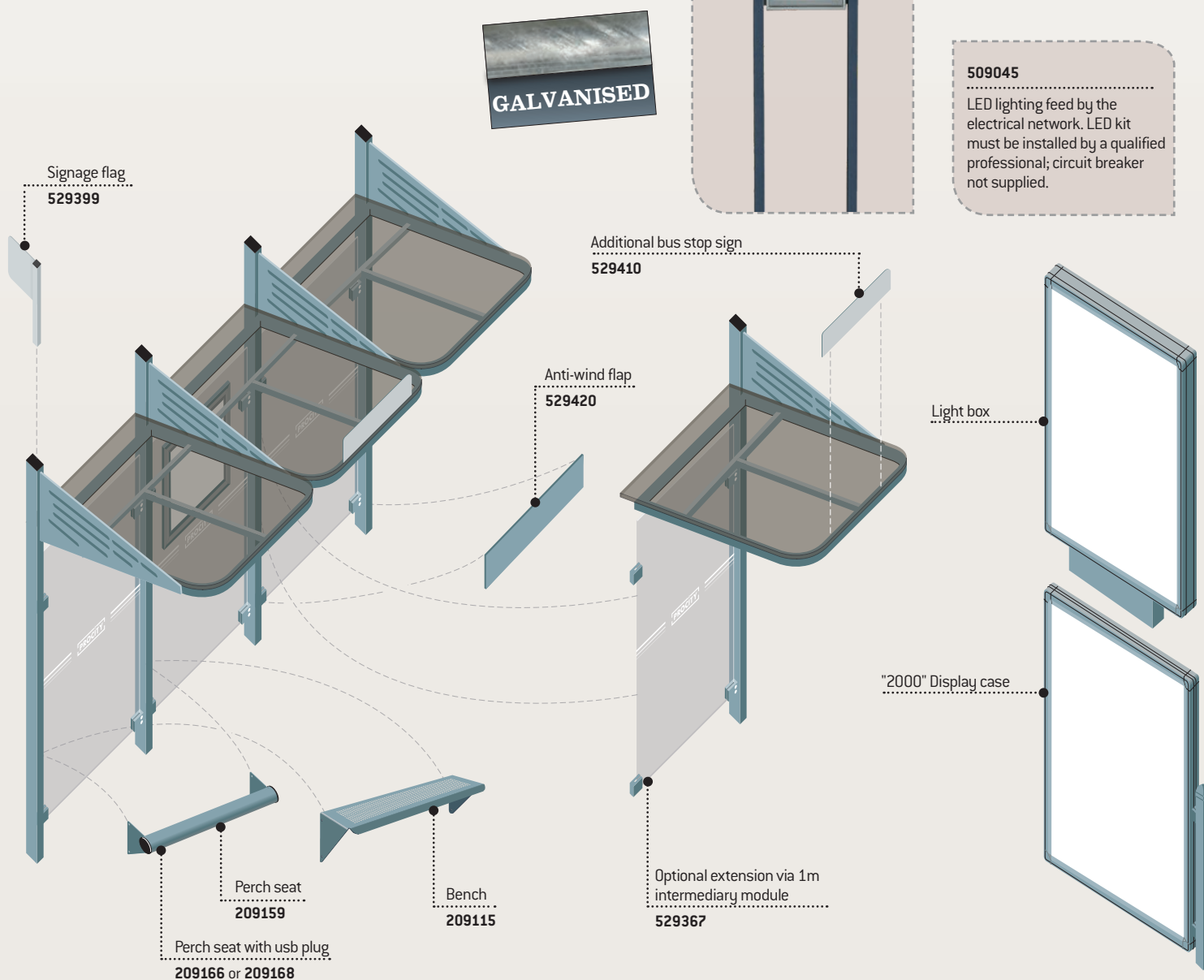
509040

LED lighting by photovoltaic panel discreetly installed on the roof.



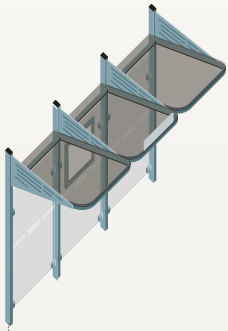
509045

LED lighting feed by the electrical network. LED kit must be installed by a qualified professional; circuit breaker not supplied.

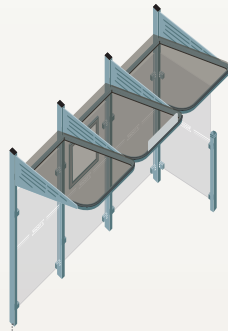




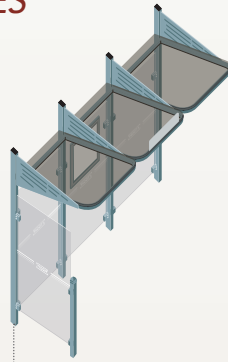
**CONVIVIALE® BUS SHELTERS PRODUCT CODES**



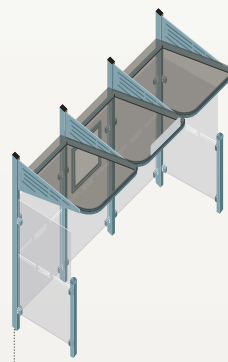
Length 3000 without side cladding panels  
**529360**



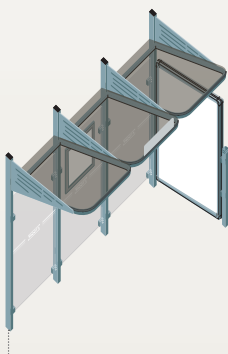
Length 3000 including one right-sided cladding panel  
**529361**



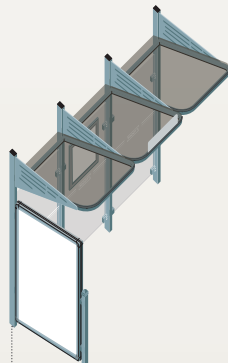
Length 3000 including one left-sided cladding panel  
**529368**



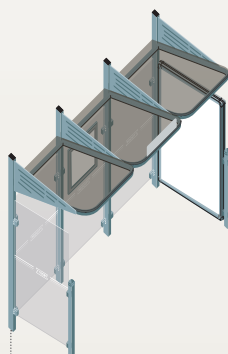
Length 3000 including two side cladding panels  
**529362**



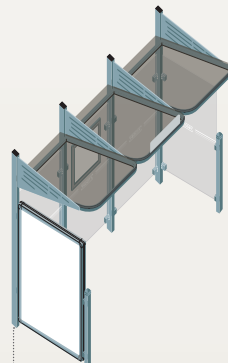
Length 3000 including one right-sided "2000" poster case  
**529363**



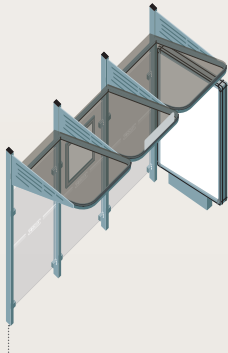
Length 3000 including one left-sided "2000" poster case  
**529369**



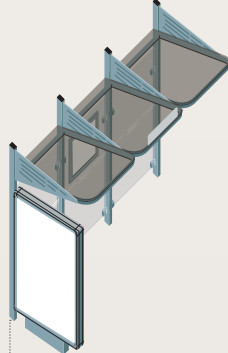
Length 3000 including one right-sided "2000" poster case and one left-sided cladding panel  
**529385**



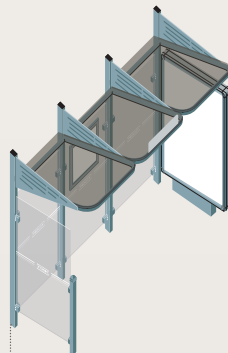
Length 3000 including one left-sided "2000" poster case and one right-sided cladding panel  
**529386**



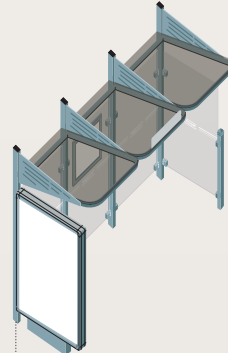
Length 3000 including one right-sided light box  
**529365**



Length 3000 including one left-sided light box  
**529387**

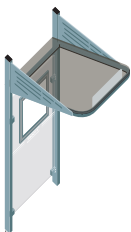


Length 3000 including one right-sided light box and one left-sided cladding panel  
**529366**

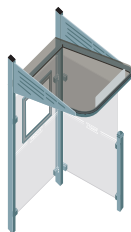


Length 3000 including one left-sided light box and one right-sided cladding panel  
**529388**

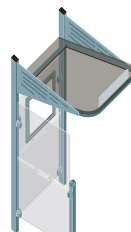
**MINI BUS SHELTERS**



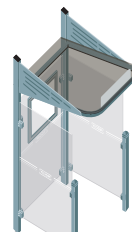
Mini, length 1000 without side cladding  
**529375**



Mini, length 1000 including right-side cladding panels  
**529376**



Mini, length 1000 including left-side cladding panels  
**529377**



Mini, length 1000 including side cladding panels  
**529378**

1

## SQUARE POST BUS SHELTERS

Our bus shelters have been carefully designed to integrate harmoniously into rural or urban environments.

### Waiting passenger capacity:

- > Standard version: 2500 mm.
- > Long version: 5000 mm.

### Models available

- > With one or two side claddings (Oléron and Malta models).
- > With a double-sided light box (Sylt and Rhodes models).
- > With a double-sided "2000" poster case (Orkney and Lerins models).

### Advertising space:

#### Double-sided light box.

- > Aluminium frame thickness: 150 mm.
- > Integrated into the shelter.
- > Display size: height 1710 x 1160 mm.
- > Rapid & easy poster changing.
- > Glazing can easily be replaced in the event of breakage.

#### "2000" double-sided poster case

- > Aluminium frame thickness: 75 mm.
- > Integrated into the shelter, fixed to post by mounting brackets.
- > Raising door made of 4 mm security glass, on gas struts.
- > Display size: height 1750 x 1200 mm.
- > Lighting options available, contact us for details.

### Options

- > Seats, benches & perch seats (see accessories, page 8).
- > Lighting by LED 220-240V, see following page.
- > Wind/rain protection, see following page.

**Warning:** not all bench sizes are compatible with our bus shelters that have a "2000" poster case or a light box.

Please check the length of your bench: it should be installed at least 1 metre from the poster case / light box.

2

## SQUARE POST BUS STOP POLE

An elegant way to indicate the presence of a bus stop.

- > Width: 440 mm.
- > Height above ground: 2160 mm.
- > Frame: 60 x 40 mm steel tube.
- > Single sided or double sided poster case in anodised aluminium depth 30 or 75 mm. 4 mm plexichoc glazing. Display dimensions: H 900 x W 215 mm.
- > Blank signage panel in galvanised steel sheet, usable surface H 200 x W 320 mm.
- > Zinc primed and finished in our RAL colours (see page 4).
- > To be concreted directly into the ground.

Square post bus stop pole Single sided	529440
Square post bus stop pole Double sided	529445



**NEW**

Signage not included



Version shown:  
Lerins - code 529338 with Lugano  
bench option - code 209180  
and Morvan litter bin - code 208001



Version shown:  
Malta - code 529319  
with Oslo bench option  
code 209160



Version shown:  
Malta - code 529318

Version shown:  
Rhodes - code 529359  
with Estoril perch seat  
option - code 209156



COMFORT

CLEANLINESS

GREEN SPACES

INFORMATION DISPLAY

BICYCLE STANDS  
& SHELTERS

STREET FURNITURE



## TECHNICAL CHARACTERISTICS

The bus shelters with square posts are available in the standard version of 2500 mm length or in the long version 5000 mm length. Each bus shelter is delivered with its back cladding and a timetable notice board.

- > Square posts made of steel tube: 80 x 80 mm on base plates.
- > The frame comprises curved aluminium profile arcs, two aluminium crossbeams 40 x 60 mm and two aluminium profile rainwater gutters.
- > The canopy is made of 6 mm translucent anti-UV cellular polycarbonate glazing. The canopy is inserted in the two gutters and between the arcs.
- > Side and back cladding made of shatter-resistant toughened 8 mm safety glass, with EC safety standard etching on the glass. Fixed by a zamac clamping device making for easy replacement of the safety glass panels in the event of vandalism.
- > The timetable notice board is silver anodised 30 mm profile aluminium, H 750 x W 550 mm. The doors have a tamper-proof lock, wear-resistant and warp-proof integrated hinges which create a double watertight seal with the frame. Shock and UV resistant plexichoc glazing. Galvanised backboard, painted white. Fixings supplied.
- > Finish: galvanised then painted, available in our RAL colours [see page 4].
- > Assembly and installation instructions supplied.

Optional Wind/rain protection from cross-members to the roof

**529054**

Optional LED lighting

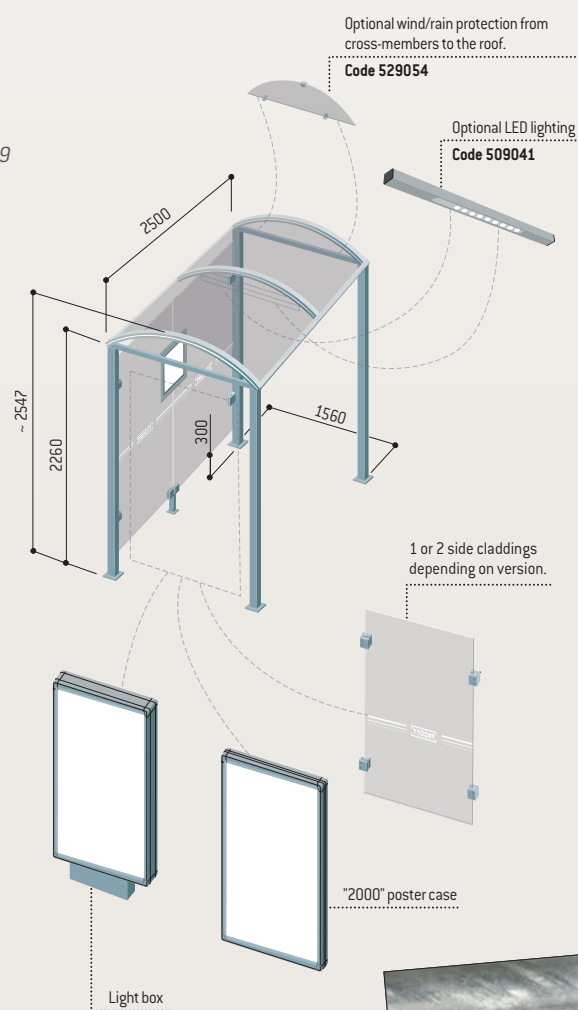
**509041**



Version shown: Malta - code 529318  
with Oslo seat option - code 209120



Version shown:  
Oleron - code 529309



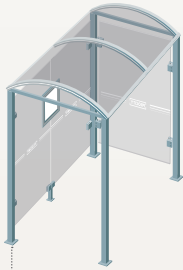
**GALVANISED**

Version shown: Lerins - code 529338  
with Oslo bench option - code 209160

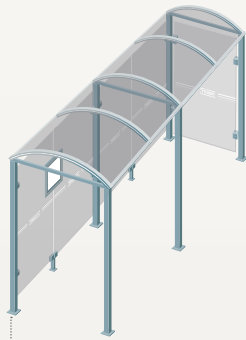




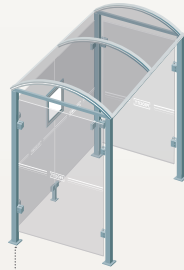
**SQUARE POST BUS SHELTERS PRODUCT CODES**



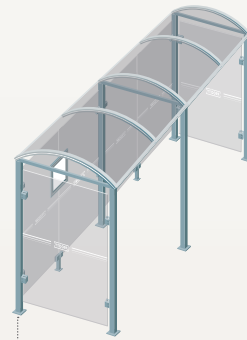
**Oleron** - Length 2500  
One side cladding  
**529308**



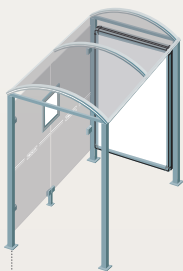
**Oleron** - Length 5000  
One side cladding  
**529309**



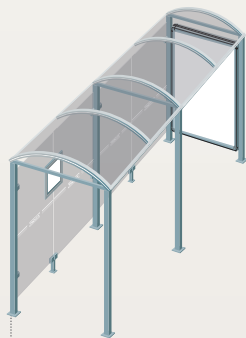
**Malta** - Length 2500  
Two side claddings  
**529318**



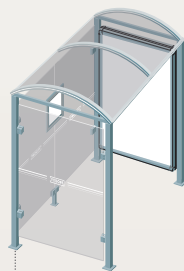
**Malta** - Length 5000  
Two side claddings  
**529319**



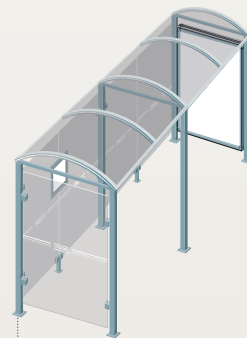
**Orkney** - Length 2500  
One "2000" poster case  
**529328**



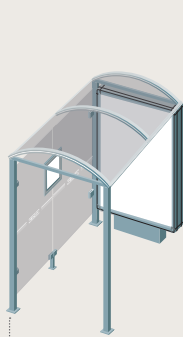
**Orkney** - Length 5000  
One "2000" poster case  
**529329**



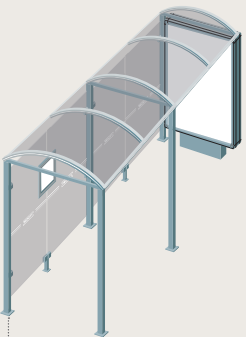
**Lerins** - Length 2500  
One "2000" poster case  
and one sided cladding  
**529338**



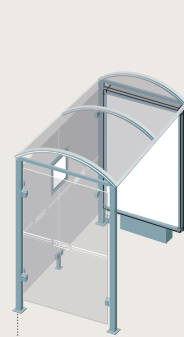
**Lerins** - Length 5000  
One "2000" poster case  
and one sided cladding  
**529339**



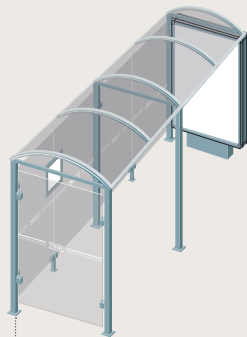
**Sylt** - Length 2500  
One light box  
**529348**



**Sylt** - Length 5000  
One light box  
**529349**



**Rhodes** - Length 2500  
One light box and  
one side cladding  
**529358**



**Rhodes** - Length 5000  
One light box and  
one side cladding  
**529359**

COMFORT

CLEANLINESS

GREEN SPACES

INFORMATION DISPLAY

BICYCLE STANDS  
& SHELTERS

STREET FURNITURE



# STREET FURNITURE ✦ DECORATIVE RAILINGS

## S U M M A R Y

- 109 Trio, Trio Mesh & Linea railings
- 110 Conviviale® railings  
& 40 x 40 Inter-railing Bollard
- 112 Linea "Home-time" railing, Dome top "Home-time" bollard & Play area fencing
- 113 Conviviale® & Jersey "Home-time" railing
- 114 Jersey safety, Jersey & Diamond railings
- 115 Pagoda & Lisbon railings
- 116 Province railings
- 117 Province access gates
- 118 Heritage & Venice railings
- 119 Lockblock® socket system for removable railings
- 120 Safety guard railings
- 121 Standard & Reinforced hoop barriers
- 122 ECOBAR® 14 & 18
- 123 Perimeter barrier & railing
- 124 Pole protectors, U' Shaped protectors  
& Base plates
- 125 Decorative protective barrier  
& interlocking protector

**PRO**CITY®





1

### TRIO RAILING

Its contemporary design enhances modern architecture. Its four different top cap versions are in perfect harmony with our bollard ranges.

> Zinc primed and finished in our RAL colours (see page 4).

Trio City	206180
1 Trio Agora	206183
Trio Sphere	206181
Trio Forum	206184
Trio Stainless steel	206175 <b>NEW</b>

2

### TRIO MESH RAILING

The Trio railing with mesh is designed for areas requiring increased safety protection.

2 Trio mesh City	206185
Trio mesh Agora	206188
Trio mesh Sphere	206186
Trio mesh Forum	206189
Trio mesh Stainless steel	206177 <b>NEW</b>

3 4

### LINEA RAILING

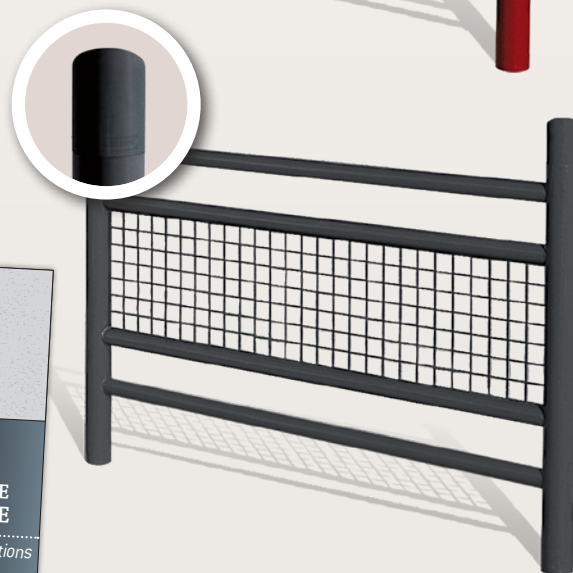
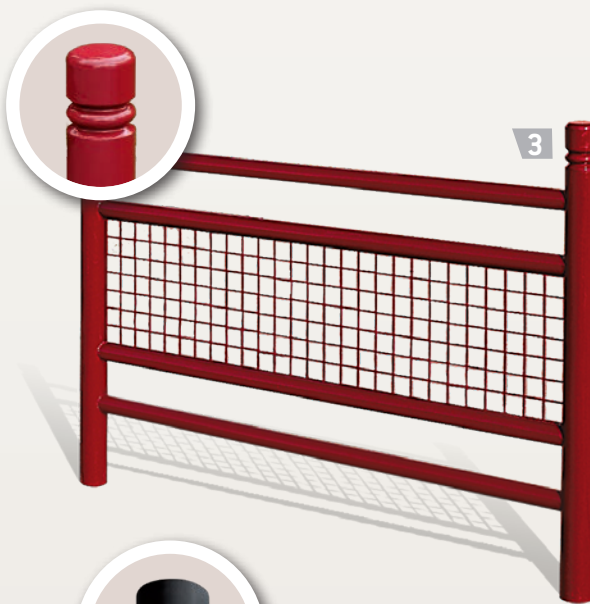
A fourth horizontal serves to increase security and act as a tap rail.

> Zinc primed and finished in our RAL colours (see page 4).

> City or Dome top caps.

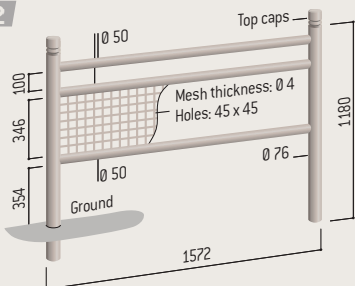
> Length: 1572 mm.

3 Linea City	206800
4 Linea Dome Top	206808
Linea Stainless steel	206809 <b>NEW</b>

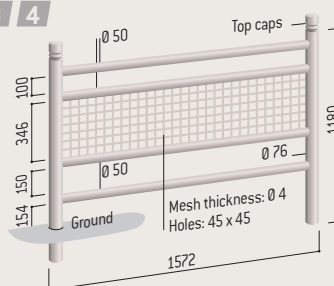


**ALL OUR RAILINGS CAN BE MADE REMOVABLE**  
see page 119 for options

1 2



3 4



COMFORT

CLEANLINESS

GREEN SPACES

INFORMATION DISPLAY

BICYCLE STANDS & SHELTERS

STREET FURNITURE

1

**STANDARD CONVIVIALE® RAILING**

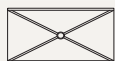
Who hasn't seen a pedestrian lean against a railing on the pavement? The Conviviale® railing has been deliberately designed for the purpose of leaning against it.

- > Available in two lengths: 1000 and 1500 mm.
- > 40 x 40 mm steel frame with 30 x 30 mm horizontals.
- > Zinc primed and finished in our RAL colours (see page 4).
- > To be concreted directly into the ground.



Length 1000 mm - 4 horizontal bars	<b>206291</b>
------------------------------------	---------------

Length 1500 mm - 4 horizontal bars	<b>206290</b>
------------------------------------	---------------



Length 1000 mm - simple cross	<b>206297</b>
-------------------------------	---------------

Length 1500 mm - simple cross	<b>206298</b>
-------------------------------	---------------

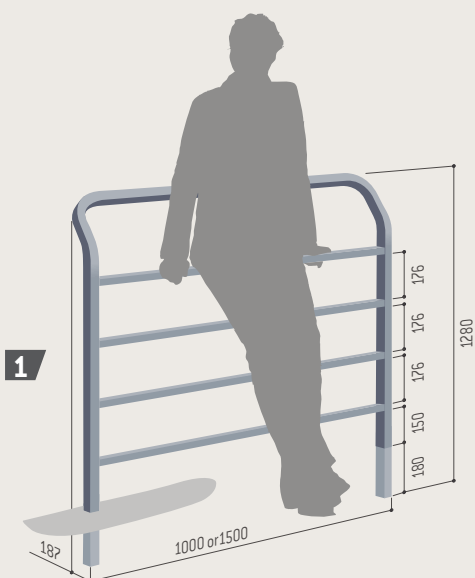
2

**40 X 40 INTER-RAILING BOLLARD**

Because its shape is identical to that of the Conviviale® railings, it fits between a series of railings and enables the line of the curb to be followed.

- > *Courbe de Diamant*® ("diamond curve") moulded aluminium top cap.
- > Zinc primed and finished in our RAL colours (see page 4).
- > To be concreted directly into the ground.

<b>Code 206330</b>
--------------------



Version shown:  
code 206298





3

### STRAIGHT CONVIVIALE® RAILING

- A more conventional version of the Conviviale® railing.
- > Courbe de Diamant® ("diamond curve") moulded aluminium top cap.
- > Steel verticals 70 x 70 mm and horizontal crossbars 40 x 40 mm.
- > Zinc primed and finished in our RAL colours (see page 4).
- > To be concreted directly into the ground.

Length 1000 mm	206374
Length 1500 mm	206379

4

### MESH CONVIVIALE® RAILING

- The railing with mesh is designed for areas where maximum safety protection is required without compromising elegance.
- > Available in two lengths: 1000 and 1500 mm.
- > Square mesh: 5 mm diameter wire.
- > Height above ground: 1100 mm.
- > Total height: 1280 mm.
- > 40 x 40 mm steel frame.
- > 30 x 30 mm horizontal crossbars; ground clearance: 150 mm.
- > Zinc primed and finished in our RAL colours (see page 4).
- > To be concreted directly into the ground.

Length 1000 mm	206292
Length 1500 mm	206293



Version shown:  
code 206379

ALL OUR  
RAILINGS  
CAN BE MADE  
REMOVABLE  
see page 119 for options

4



COMFORT

CLEANLINESS

GREEN SPACES

INFORMATION DISPLAY

BICYCLE STANDS  
& SHELTERS

STREET FURNITURE

1

**LINEA "HOME-TIME" RAILING**

A colourful, highly visible railing completed with fun characters that provides a safe environment for children.

**Railing**

- > Length: 1572 mm.
- > Square mesh: 4 mm diameter wire.
- > Overall height: 1100 mm.
- > Ground clearance: 150 mm.
- > Ø 76 mm posts with Ø 50 mm crossbars.
- > Zinc primed and finished in our RAL colours [see page 4].
- > To be concreted directly into the ground.

**Special "Fantasy Fun" Characters**

- > 3 characters: crocodile, dinosaur and serpent.
- > 3 mm galvanised steel sheet.
- > Attached to the mesh by clips & highly adhesive lifetime glue, factory-fitted.
- > On the railing, the character and top caps are the same colour.

Linea "Home-Time" Railing	<b>206804</b>
Linea "Home-Time" Railing + Serpent	<b>206815</b>
Linea "Home-Time" Railing + Crocodile	<b>206816</b>
Linea "Home-Time" Railing + Dinosaur	<b>206817</b>

Colour options for characters & top caps

- H 274 x 508 mm
- H 303 x 508 mm
- H 320 x 533 mm

- RAL 1023
- RAL 3020
- RAL 5010
- RAL 6018

2

**DOME TOP "HOME-TIME" BOLLARD**

The perfect accompaniment to the Linea "Home-time" railing.

- > Ø 76 mm steel tubes.
- > Overall height: 1180 mm.
- > Zinc primed and finished in our colour options, lacquered top cap (RAL 1023, 3020, 5010 or 6018).
- > To be concreted directly into the ground.

Code 204675



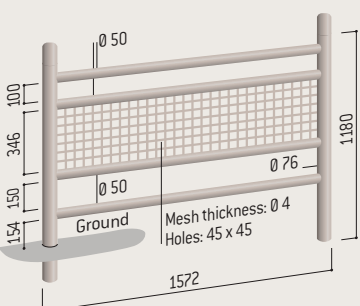
3

**PLAY AREA FENCING**

A fencing system for enclosing children's play areas. Colours and height adapted to form part of the play experience.

- > Lengths: 1000 or 2500 mm.
- > Height above ground: 750 mm.
- > Slats in FSC certified exotic hardwood, depth 22 mm.
- > Dimensions of slats: 660 x 90 mm.
- > Structure in FSC certified exotic hard wood, depth 60 x 60 mm.
- > Wood finish: Lacquered in a single colour or multi-colour.
- > Finished in RAL 3020 (red), RAL 1023 (yellow), RAL 6018 (green), RAL 5010 (blue).
- > 1000mm hinged gate with catch available.

	Multi-colour	Single colour
Length 1000 mm	<b>207900</b>	<b>207902</b>
Length 2500 mm	<b>207901</b>	<b>207903</b>
Gate 1000 mm	<b>207904</b>	<b>207905</b>



1

2

1

**ALL OUR RAILINGS CAN BE MADE REMOVABLE**

*see page 119 for options*



4

### CONVIVIALE® "HOME-TIME" RAILING

A railing that provides a safe environment for children, adding bright colours and fun characters to a pavement.

Not only does this railing have mesh, it also has an additional horizontal crossbar. The railing has been conceived with children in mind and to be compatible with the optional characters.

- > Available in two lengths: 1000 and 1500 mm.
- > Square mesh: 5 mm diameter wire.
- > Height above ground: 1100 mm.
- > Total height: 1280 mm.
- > 40 x 40 mm steel frame.
- > 30 x 30 mm horizontal crossbars; ground clearance: 150 mm.
- > Zinc primed and finished in our RAL colours (see page 4).
- > To be concreted directly into the ground.
- > Fantasy Fun characters optional.

#### Fantasy fun CHARACTERS for Conviviale® "Home-Time" Railing

- > 3 mm galvanised steel sheet.
- > Attached to the mesh by clips & highly adhesive lifetime glue, factory-fitted.
- > Galvanised and painted in the colours below.

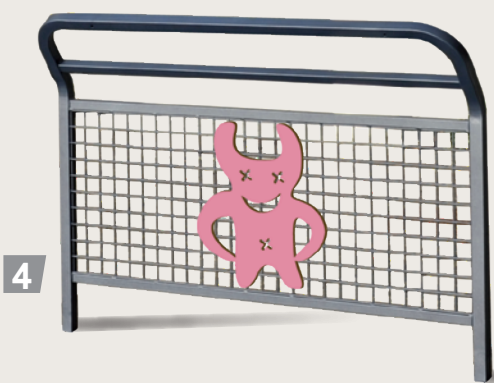
	Length 1000 mm	Length 1500 mm
Conviviale® "Home-Time" Railing	206292	206293
Conviviale® "Home-Time" Railing & "The cat" character	206950	206960
Conviviale® "Home-Time" Railing & "The fish" character	206951	206961
Conviviale® "Home-Time" Railing & "Little devil" character	206952	206962
Conviviale® "Home-Time" Railing & "The ghost" character	206953	206963
Conviviale® "Home-Time" Railing & "The pig" character	206954	206964
Conviviale® "Home-Time" Railing & "The dog" character	206955	206965

**Character colours**

H 550 x 495 mm    H 430 x 850 mm    H 550 x 425 mm

H 550 x 510 mm    H 500 x 780 mm    H 550 x 575 mm

RAL 1017  
RAL 2004  
RAL 3015  
RAL 6034  
RAL 6018



4

5

### JERSEY "HOME-TIME" RAILING

A fun and economic railing to protect children.

#### Railing

- > Length: 1470mm.
- > Square mesh: 4 mm diameter wire.
- > Height above ground: 1026 mm.
- > Ground clearance: 100 mm
- > 40 x 40 mm steel frame.
- > 30 x 30 mm horizontal crossbars.
- > Zinc primed and finished in our RAL colours (see page 4).
- > To be concreted directly into the ground.

#### Fantasy fun CHARACTERS for Jersey "Home-Time" Railing

- > 4 characters: train, hippo wagon, lion wagon, elephant wagon.
- > 3 mm galvanised steel sheet, factory-fitted.
- > Galvanised and painted in the colours below.

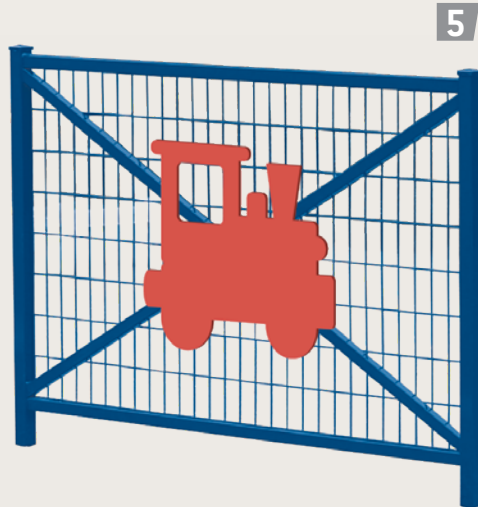
Jersey "home-time" railing	206217
Train	206010
Hippo wagon	206011
Lion wagon	206012
Elephant wagon	206013

**Animation colours**

H 600 x 510 mm    H 600 x 600 mm

H 600 x 600 mm    H 600 x 580 mm

RAL 1023  
RAL 3020  
RAL 5010  
RAL 6018



5

1

**JERSEY SAFETY RAILING**

Ideal for maximum safety protection outside schools.

> Zinc primed and finished in our RAL colours (see page 4).

Length 1470 mm	206217
----------------	--------

2

**JERSEY RAILING**

Complementary to the safety railing, without the mesh.

> Zinc primed and finished in our RAL colours (see page 4).

Length 1470 mm	206216
----------------	--------

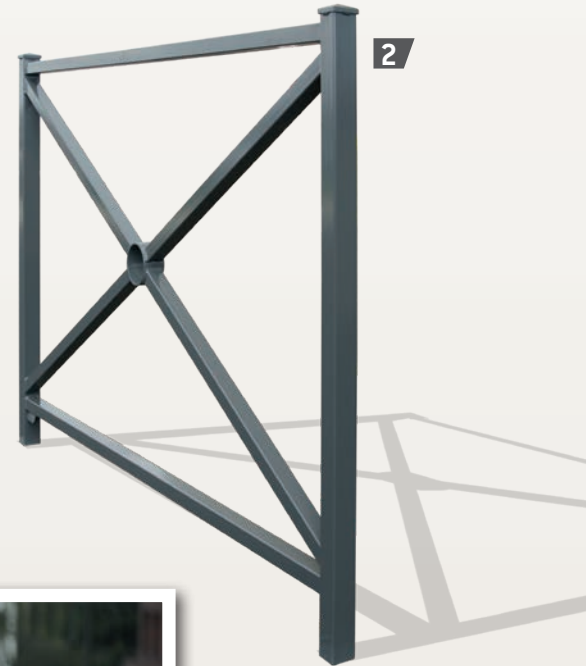
3

**DIAMOND RAILING**

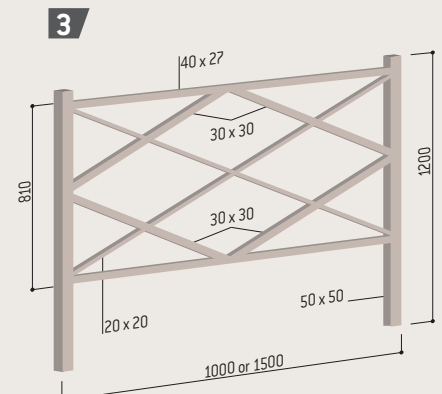
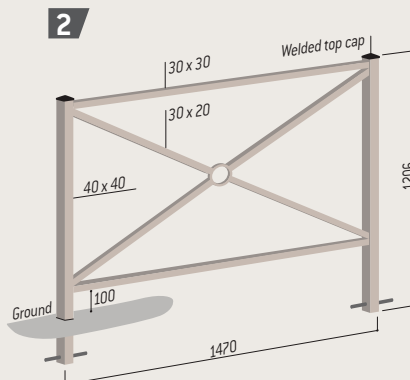
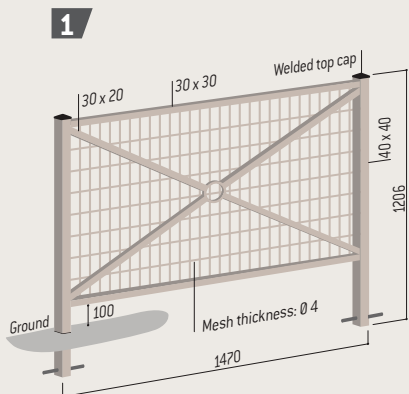
Classic and elegant, the Diamond blends in well with existing street furniture.

> Zinc primed and finished in our RAL colours (see page 4).

Length 1000 mm	206072
Length 1500 mm	206203



Insist on the PROCITY® label





4

**PAGODA RAILING**

A universal design, discrete and effective in securing walkways.

- > Available in two lengths: 1080 and 1580 mm.
- > Steel tube 80 x 40 mm.
- > Black painted cast aluminium post caps.
- > Zinc primed and finished in our RAL colours (see page 4).

Length 1080 mm	<b>206210</b>
Length 1580 mm	<b>206211</b>

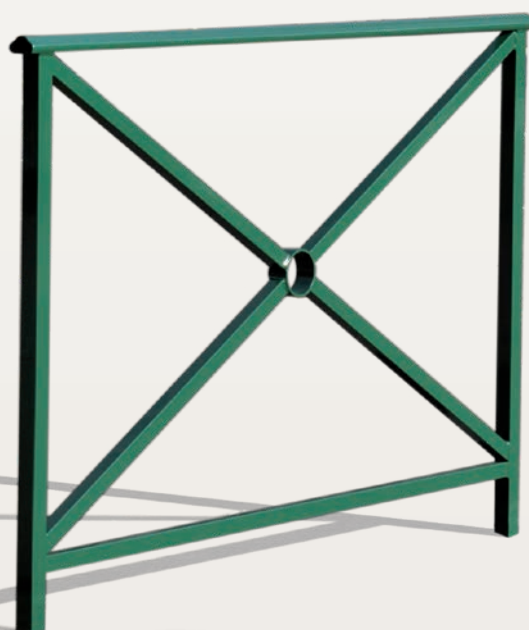
5

**LISBON RAILING**

The continuous handrail allows it to integrate perfectly in any location whilst maintaining a constant line.

- > Available in two lengths: 1000 and 1500 mm.
- > Zinc primed and finished in our RAL colours (see page 4).

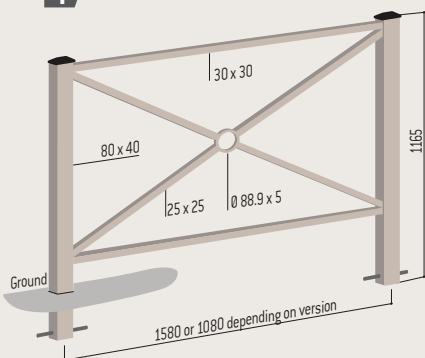
Length 1000 mm	<b>206200</b>
Length 1500 mm	<b>206201</b>



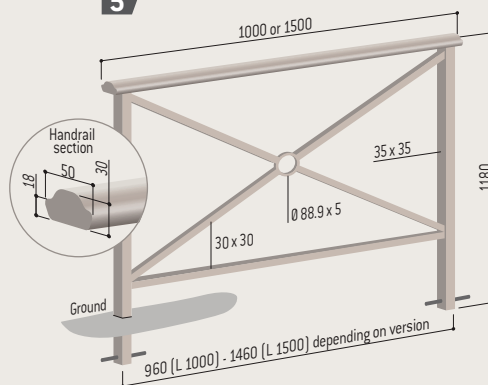
↑  
ALL OUR RAILINGS CAN BE MADE REMOVABLE  
see page 119 for options



4



5



COMFORT

CLEANLINESS

GREEN SPACES

INFORMATION DISPLAY

BICYCLE STANDS & SHELTERS

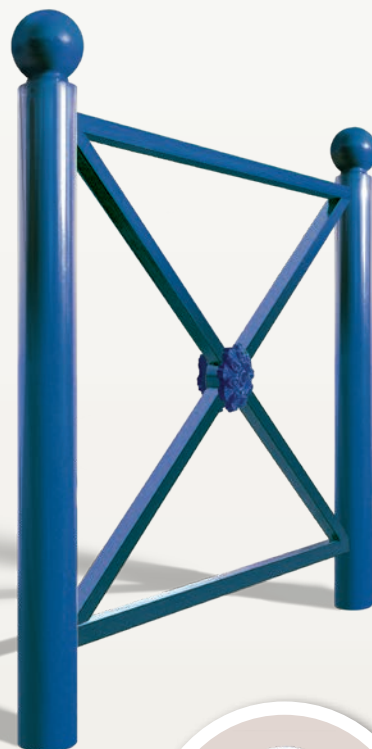
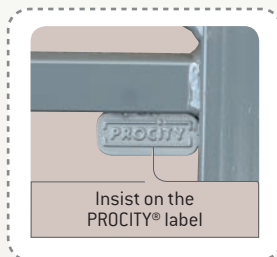
STREET FURNITURE

1

### PROVINCE RAILINGS

Suitable for any city style, elegant and timeless railings with a variety of individual details:

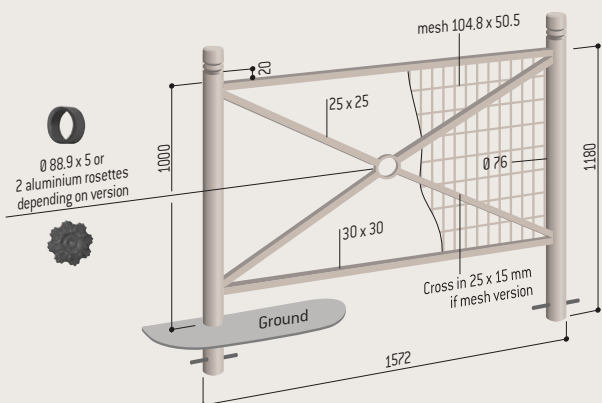
- > Available in two lengths: 1072 and 1572 mm.
- > Three frames: simple cross, rosette or mesh.
- > 5 top caps to choose from: City, Agora, Sphere, Forum and Stainless steel.
- > Zinc primed and finished in our RAL colours (see page 4).
- > Also available with contrasting top caps (contact us).



						
		City	Agora	Sphere	Forum	Stainless steel
	1072 simple cross	206061	206057	206066	206055	206054
	1572 simple cross	206161	206157	206166	206149	206154
	1072 rosette	206067	206058	206068	206045	206046
	1572 rosette	206167	206158	206168	206156	206146
	1072 mesh	206079	206059	206070	206091	206074
	1572 mesh	206179	206159	206170	206191	206174

**NEW**

ALL OUR RAILINGS CAN BE MADE REMOVABLE  
see page 119 for options





2

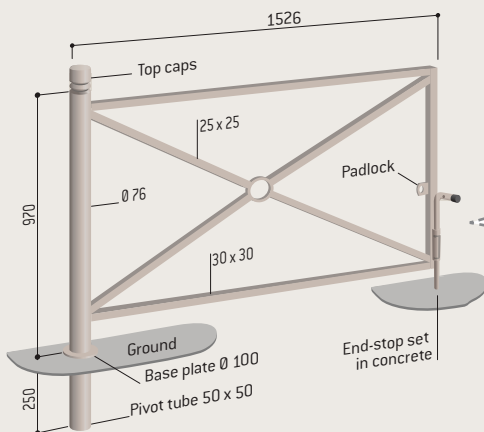
## PROVINCE ACCESS GATES

Allows occasional access to authorised vehicles or emergency services while ensuring continuity of style.

- > Using a bolt and padlock, can be locked in either open or closed positions. 2 stops per gate supplied.
- > Available as left or right opening.
- > Zinc primed and finished in our RAL colours (see page 4), with four cast aluminium top caps or stainless steel.
- > Pivots on the internal tube, to be concreted directly into the ground.



City	Agora	Sphere	Forum	Stainless steel
Code for right opening:				
203080	203081	203082	203084	203085
Code for left opening:				
203480	203481	203482	203484	203485



COMFORT

CLEANLINESS

GREEN SPACES

INFORMATION DISPLAY

BICYCLE STANDS & SHELTERS

STREET FURNITURE



**1**

**HERITAGE RAILINGS**



With a solid steel handrail and 35 x 35 mm steel frames, these railings are among most robust railings available. In versions with or without end grips, with or without rosette, individual or in a continuous line, the Heritage offers a large range of installation solutions.

> Zinc primed and finished in our RAL colours (see page 4).

Length 800 mm

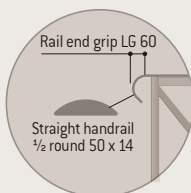
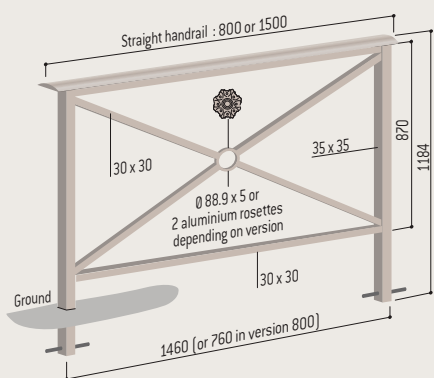
Version	simple cross 	with rosette 
Without handrail return	<b>206130</b>	<b>206132</b>
With one handrail return	<b>206140</b>	<b>206142</b>
With two handrail returns	<b>206150</b>	<b>206152</b>

Length 1500 mm

Version	simple cross 	with rosette 
Without handrail return	<b>206131</b>	<b>206133</b>
With one handrail return	<b>206141</b>	<b>206143</b>
With two handrail returns	<b>206151</b>	<b>206153</b>



**ALL OUR RAILINGS CAN BE MADE REMOVABLE**  
see page 119 for options



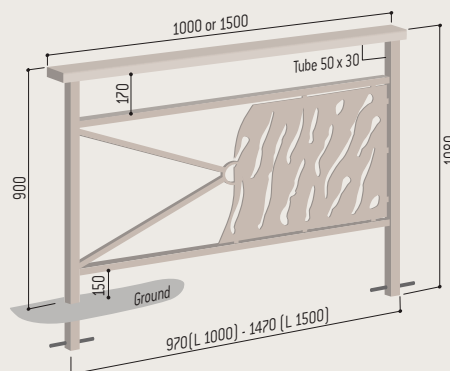
**2**

**VENICE RAILINGS**

Designed for areas where maximum safety protection is required without compromising elegance, blending in perfectly with the other products in the collection.

- > Available in 2 lengths: 1000 and 1500mm.
- > Two designs: simple cross or decorative plasma cut 3 mm steel panel.
- > Height above ground: 900 mm. Total height: 1080 mm. Ground clearance: 150 mm.
- > Verticals and hand rail in 50 x 30 mm steel tube.
- > Cross members in 40 x 40 mm steel tube.
- > Zinc primed and finished in our RAL colours (see page 4).
- > To be concreted directly into the ground (optional base plates).
- > Removability kit available as an option.

Length 1000 mm - Decorative panel	<b>206820</b>
Length 1500 mm - Decorative panel	<b>206821</b>
Length 1000 mm - Simple cross	<b>206825</b>
Length 1500 mm - Simple cross	<b>206826</b>





3

## LOCKBLOCK® SOCKET SYSTEM FOR REMOVABLE RAILINGS

All PROCITY® railings can be fitted to the Lockblock® socket system, allowing access to authorised vehicles or emergency services. The sockets provide total stability and form secure and tamper-proof railings thanks to the unique locking system. Locking and unlocking with an 11 mm triangle key. A static galvanised lacquered central flush boss ensures there is no trip hazard when the railings are removed.

- > "Concrete effect": the railing remains perfectly stable when it is set into its sockets.
- > 100% galvanised for complete corrosion protection.
- > Drains naturally through sub surface gravel.
- > A reservoir allows for the accumulation of sand, gravel, etc.
- > The lock is protected by a black-lacquered flap. 180 mm of the railings are set into the sockets to ensure a constant height for all of the street furniture being installed.

Kit for "Venice"	203405
Kit for "Province", "Trio" & "Linea"	203404
Kit for "Conviviale®", "Jersey" & "Jersey Safety Railing"	203402
Kit for "Diamond"	203403
Kit for "Lisbon" & "Heritage"	203400
Kit for "Pagoda"	203401
Kit for "Conviviale® inter-railing bollard"	204291



Venice railing

Trio, Province and Linea railings

Conviviale®, Jersey Safety & Jersey railings

Diamond railing

Lisbon and Heritage railings

Pagoda railing

COMFORT

CLEANLINESS

GREEN SPACES

INFORMATION DISPLAY

BICYCLE STANDS & SHELTERS

STREET FURNITURE



1

## SAFETY GUARD RAILINGS

A simple and durable solution with many different uses around a town.

- > Available in two lengths: 1027 mm with 7 bars or 2000 mm with 15 bars.
- > Ø 35 mm and Ø 16 mm steel tubes.
- > Total height: 1300 mm.
- > Galvanised or galvanised and painted finish in our RAL colours (see page 4).
- > To be concreted directly into the ground. Base plates or sockets are optional.



**GALVANISED**

	Galvanised	Galva & painted
Length 1027 mm	<b>204403</b>	<b>204453</b>
Length 2000 mm	<b>204401</b>	<b>204451</b>



Insist on the PROCITY® label





2

### STANDARD HOOP BARRIER

Available in three lengths (1000, 1500 and 2000 mm) and diameter of tube Ø 60 mm.

- > Total height: 1300 mm.
- > Finish: galvanised or galvanised then painted finish in our RAL colours (see page 4).
- > To be concreted directly into the ground. Optional base plates or ground sockets.

**NEW**

	Galvanised	Galva & painted	Painted on zinc primer
Ø 60 mm L 1000 mm	<b>204006</b>	<b>204056</b>	<b>204036</b>
Ø 60 mm L 1500 mm	<b>204007</b>	<b>204057</b>	<b>204037</b>
Ø 60 mm L 2000 mm	<b>204008</b>	<b>204058</b>	<b>204038</b>

3

### REINFORCED HOOP BARRIER

Available in three lengths (1000, 1500 and 2000 mm) and diameter of tube Ø 60 mm.

- > Total height: 1300 mm.
- > Finish: galvanised or galvanised then painted finish in our RAL colours (see page 4).
- > To be concreted directly into the ground. Optional base plates or ground sockets.

**NEW**

	Galvanised	Galva & painted	Painted on zinc primer
Ø 60 mm L 1000 mm	<b>204206</b>	<b>204256</b>	<b>204236</b>
Ø 60 mm L 1500 mm	<b>204207</b>	<b>204257</b>	<b>204237</b>
Ø 60 mm L 2000 mm	<b>204208</b>	<b>204258</b>	<b>204238</b>



**GALVANISED**



COMFORT

CLEANLINESS

GREEN SPACES

INFORMATION DISPLAY

BICYCLE STANDS & SHELTERS

STREET FURNITURE

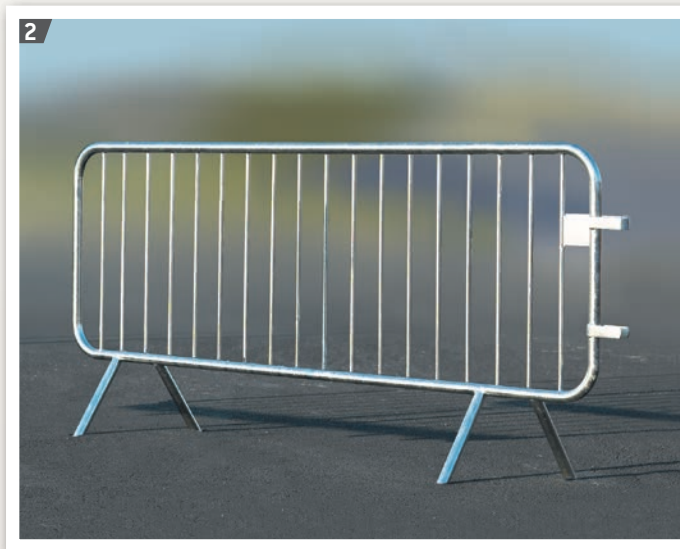
1 / 2

### ECOBAR® 14 AND ECOBAR® 18

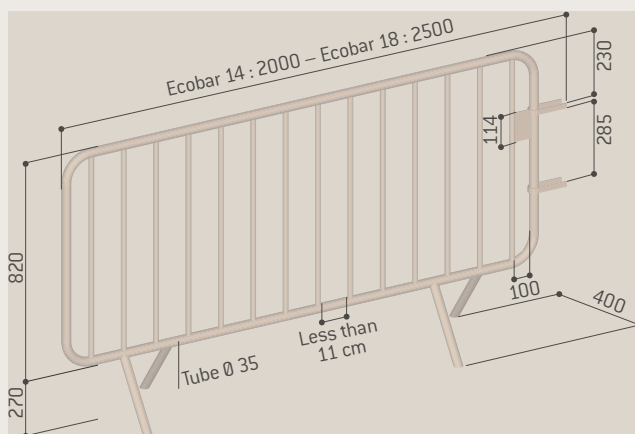
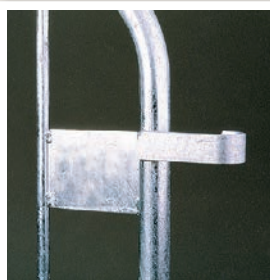
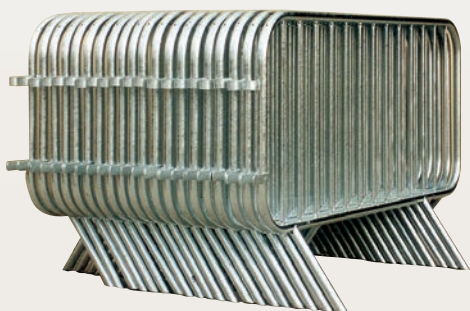
Strong and safe with innovative design. Light yet stable, it has been designed for maximum safety and durability.

- > Ø35 mm steel frame, gauge 1.5 mm.
- > Less than 11 cm between each bar for increased security.
- > 4 rounded corners and lightweight for easier handling.
- > Tapered feet for added stability.
- > Designed to work at varying heights and corners.
- > Universal connectors.
- > Off-set feet for reduced storage space.
- > Features a 114 x 100 mm metal identity plate which may be laser cut-out or self-adhesive (optional).
- > Minimum order quantities of 25 barriers.
- > Finish: galvanised.

1	Ecobar 14 2000 mm pack of 25	200060
2	Ecobar 18 2500 mm pack of 25	200070



**GALVANISED**





3

### PERIMETER BARRIER

A simple and effective solution to delineate and protect spaces. Available in three lengths of Ø 60 mm steel tube (1000, 1500 and 2000 mm).

- > Galvanised or zinc primed and painted or galvanised & painted and finished in our standard RAL colours.
- > To be concreted directly into the ground. Optional base plates or ground sockets.

	Galva	Zinc primed & painted	Galvanised & painted
Ø 60 mm L 1000	204100	204165	204150
Ø 60 mm L 1500	204101	204166	204151
Ø 60 mm L 2000	204102	204167	204152

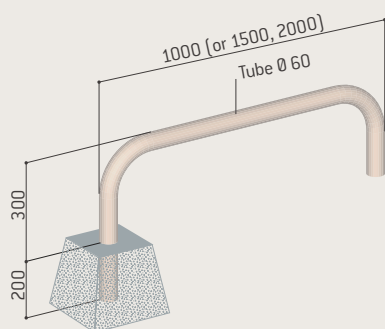
4

### PERIMETER RAILING

A modern way to delineate areas. When installed side by side, the railing creates a continuous bar.

- > Length: 1500 mm.
- > Height above ground: 300 mm.
- > Total height: 500 mm.
- > Steel tube Ø 60 mm and flat steel bar with a thickness of 8 mm.
- > Galvanised or zinc primed and painted or galvanised & painted and finished in our standard RAL colours.
- > To be concreted directly into the ground.

	Galva	Zinc primed & painted	Galvanised & painted
Perimeter railing	204104	204103	204105



COMFORT

CLEANLINESS

GREEN SPACES

INFORMATION DISPLAY

BICYCLE STANDS & SHELTERS

STREET FURNITURE

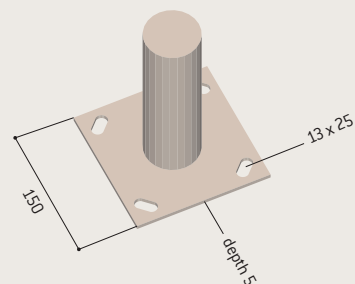
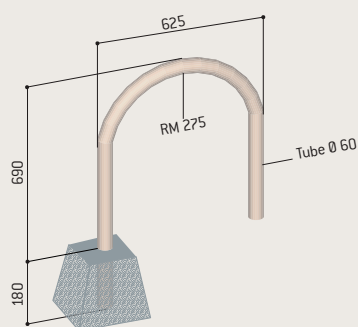
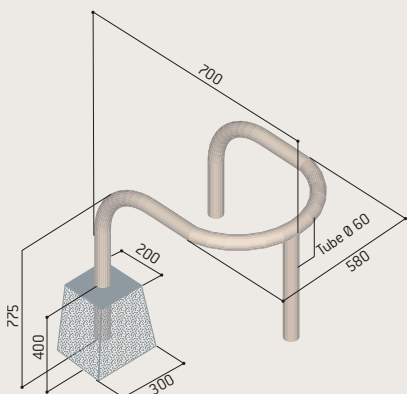
1

### POLE PROTECTORS

Perfect for around poles, parking meters, street lights...

- > Made of Ø 60 mm steel tube.
- > Finish: galvanised or galvanised then painted finish in our RAL colours (see page 4).
- > To be concreted directly into the ground. Optional base plates or ground sockets.

	Galvanised	Painted
Tube Ø 35 mm	201020	201021
Tube Ø 60 mm	201030	201031
Base plates	291030	



2

### U' SHAPED PROTECTORS

#### Tube Ø 50 mm

- > Width 300 mm
- > Height above all: 870 mm
- > Made of Ø 50 mm steel tube

#### Tube Ø 60 mm

- > Width 625 mm
- > Height above all: 870 mm
- > Made of Ø 60 mm steel tube Available in 3 different finishes.

> To be concreted directly into the ground. Optional base plates or ground sockets available.

	Galva	Zinc primed & painted	Galvanised & painted
Ø 50 mm	201066	-	201067
Ø 60 mm	201060	201065	201061



3

### BASE PLATES

For your tiled or concrete surfaces, use our products equipped with optional base plates.

- > Adding base plates reduces the overall height of products by 200 mm.



4

### DECORATIVE PROTECTIVE BARRIER

Ideal for the protection of street & park furniture, shop fronts, trees (as a pair), noticeboards, and to protect from mowing.

- > Protection bar fitted with welded steel end caps on two slightly curved supports.
- > Made of Ø 60 mm steel tube, galvanised or galvanised then painted finish in our RAL colours (see page 4).
- > To be concreted directly into the ground. Optional base plates or ground sockets.

Galvanised	<b>201040</b>
Painted	<b>201041</b>



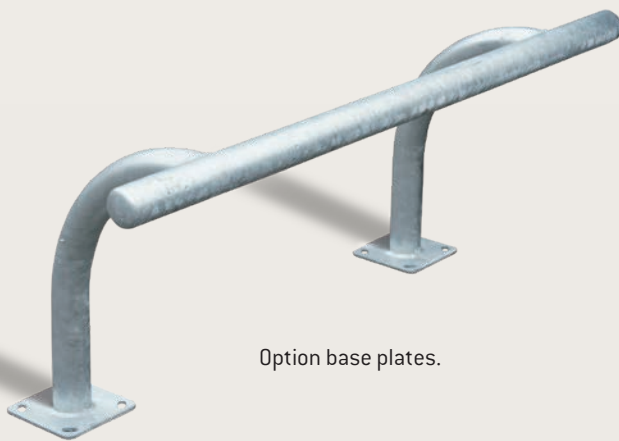
5

### INTERLOCKING PROTECTOR

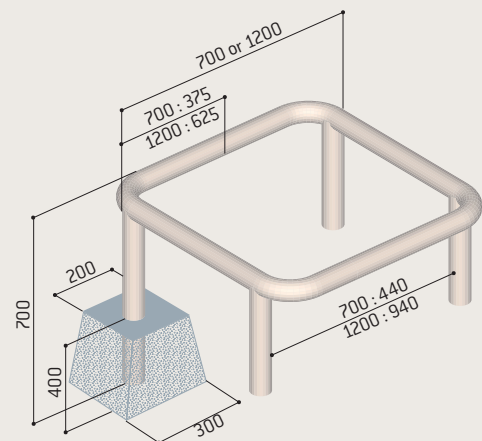
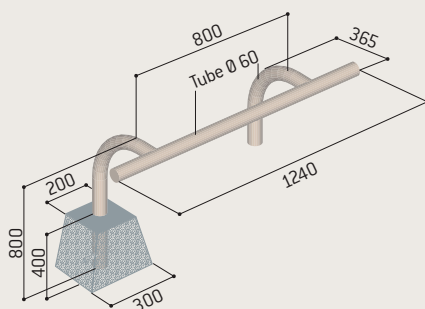
Completely surrounds and protects the object (tree, post, machine, etc.).

- > Steel tube: Ø 60 mm, galvanised or galvanised then painted available in our RAL colours.
- > To be interlocked then concreted directly into the ground.

	Galvanised	Painted
700 x 700 mm	<b>201008</b>	<b>201009</b>
1200 x 1200 mm	<b>201010</b>	<b>201011</b>



Option base plates.



COMFORT

CLEANLINESS

GREEN SPACES

INFORMATION DISPLAY

BICYCLE STANDS & SHELTERS

STREET FURNITURE



NOTES

A series of horizontal dotted lines spanning the width of the page, intended for writing notes.





NOTES

A series of horizontal dotted lines for writing notes.

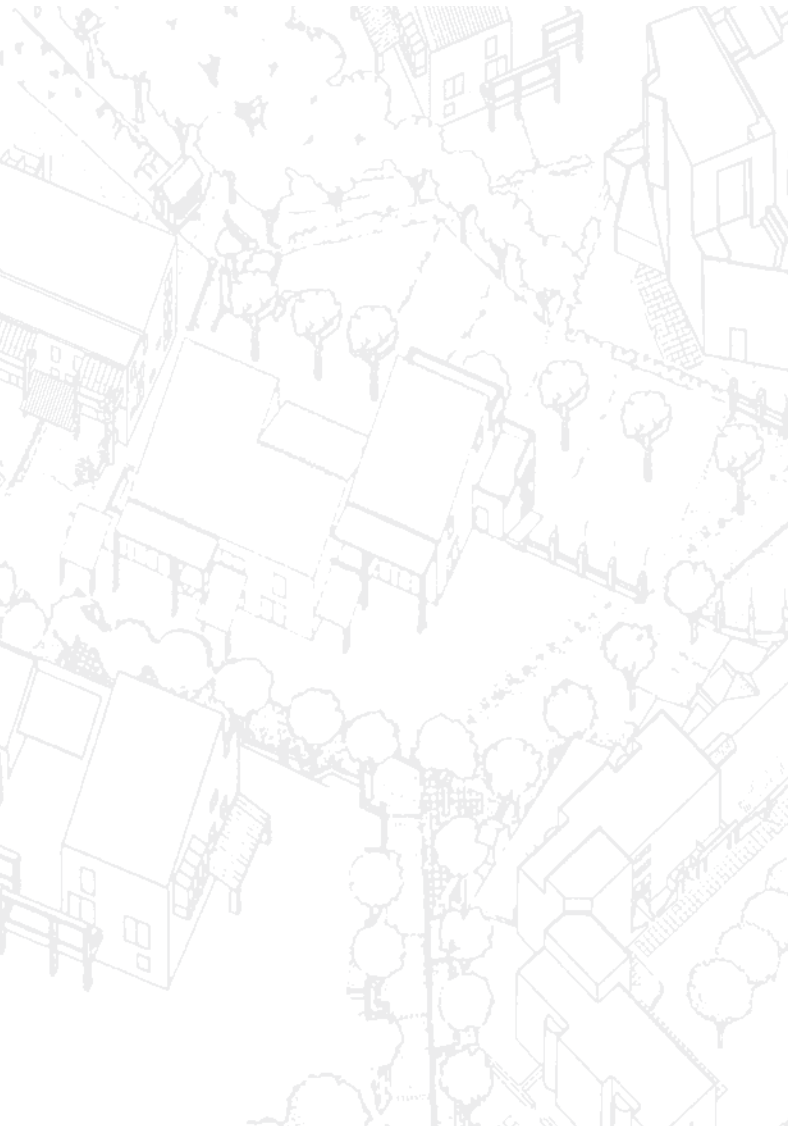
1.

2.

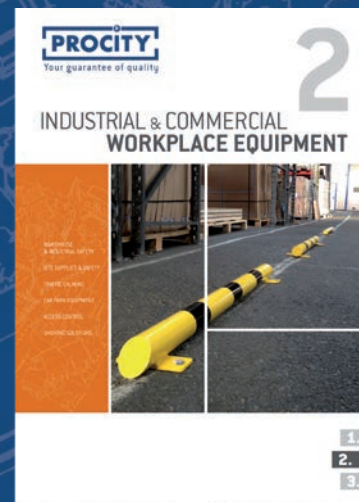


Your guarantee of quality

[www.procity.eu](http://www.procity.eu)



## OTHER PROCITY CATALOGUES



No. 2

### INDUSTRIAL & COMMERCIAL WORKPLACE EQUIPMENT

Warehouse &  
industrial safety

Site supplies & safety

Traffic calming

Car park equipment

Access control

Smoking solutions



Programme for the  
Endorsement of Forest  
Certification